

# SELECT SERVICE GAUGE

±2-1-2% Accuracy

## 2" Dial - Grade A



The Miljoco P20157L is a compact, versatile gauge that is designed to provide accuracy, repeatability and long service life. This gauge is furnished with an attractive, bright chrome-plated case, threaded polycarbonate lens and adjustable pointer. It can be used with any media that it compatible with brass or bronze. This gauge is ideally suited for service on air, water, glycol solutions, and gas. **CAUTION: A coil syphon must be installed on the connection when used on steam applications.**

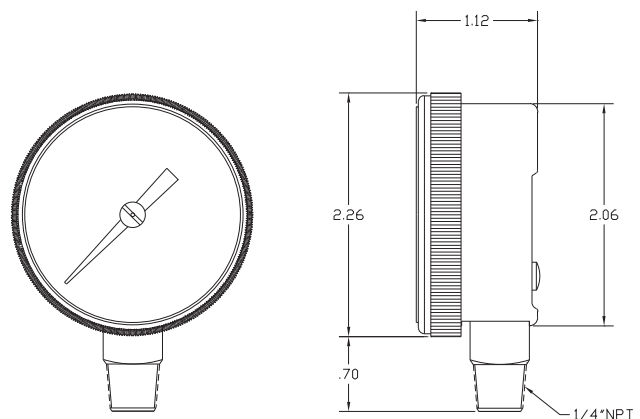
### Standard Ranges

Code	Range	Fig.	Div.
001	30" Hg-0	5	1
02	0-15 psi	2	0.1
03	0-30 psi	5	1
04	0-60 psi	10	1
05	0-100 psi	10	1
06	0-160 psi	20	2
07	0-200 psi	20	2
08	0-300 psi	50	5
09	0-400 psi	50	5
10	0-600 psi	50	10

### General Specifications

**CASE:** Bright chrome-plated steel.  
**LENS:** Threaded with knurled edges.  
**DIAL:** Aluminum, white finished with black markings.  
**POINTER:** Black, adjustable.  
**MOVEMENT:** Brass with precision-milled teeth.  
**TUBE & SOCKET:** Phosphor-bronze tube, brass socket.  
**CONNECTION:** 1/4" NPT brass, bottom outlet.  
**ACCURACY:** ±2-1-2% (ASME B40.100 Grade A).  
**PROCESS TEMPERATURE:** -40 to 200°F (-40 to 93°C).  
**AMBIENT TEMPERATURE:** -40 to 140°F (-40 to 60°C).

### Dimensions (in.)



### To Order

**P20157L**

Model Number

**05**

Range Code

200 Elizabeth St. Mt. Clemens, MI 48043

Ph: 888.888.1498 Fax: 586.777.7891 www.miljoco.com

