

AMMONIA GAUGE

±1% / 1.6% Accuracy

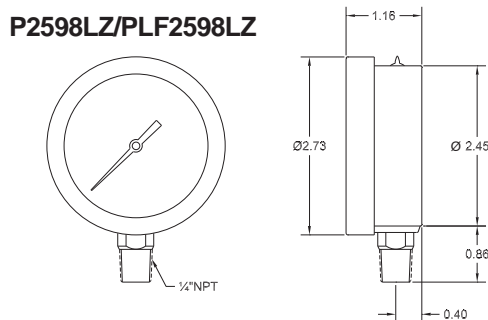
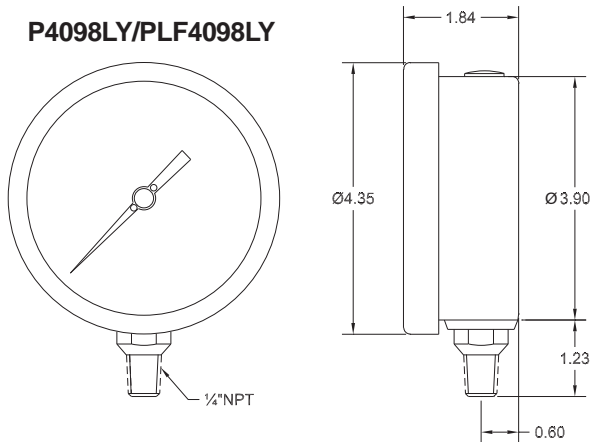
2½" & 4" - Stainless Steel Case

This line of ammonia gauges is designed for use with refrigeration ammonia, or any other process media that is compatible with stainless steel. These gauges are hermetically sealed for outdoor use and can be liquid filled for applications exposed to vibration. **CAUTION: When using liquid-filled gauges on applications other than refrigeration ammonia, consult factory for fill fluid recommendation.**

General Specifications

- CASE:** Stainless steel.
RING: Stainless steel, bayonet type with gasket.
LENS: Polycarbonate.
DIAL: Aluminum, white finished with black markings.
POINTER: 4": Aluminum, black, micro-adjustable.
 2½": Aluminum, black, non-adjustable.
MOVEMENT: Stainless steel, rotary type.
TUBE & SOCKET: Stainless steel.
CONNECTION: 1/4" NPT bottom outlet.
ACCURACY: 4": ±1% (ASME B40.1 Grade 1A). 2½": ±1.6% Full Scale (exceeds ASME B40.100 Grade B).
PROCESS TEMPERATURE: DRY: -40 to 250°F (-40 to 93°C), LIQ. FILLED: 0 to 140°F (-18 to 60°C).
AMBIENT TEMPERATURE: DRY: -40 to 140°F (-40 to 60°C), LIQ. FILLED: 0 to 140°F (-18 to 60°C).

Dimensions (in.)



Models

Model	Dial Size	Filled
P4098LY	4"	Dry
PLF4098LY	4"	Glycerine
P2598LY	2½"	Dry
PLF2598LZ	2½"	Glycerine

Standard Ranges

Code	Range
006SSA	30" Hg-150 psi & °F
008SSA	30" Hg-300 psi & °F

Other ranges available - consult factory.

To Order

P 4 0 9 8 L Y 0 0 8 S S A
 Model Number Range Stainless Steel Ammonia Range

Specify Model Number PLF4098LY for glycerine fill.

- Options**
- Glycerine Fill

