

AMMONIA GAUGE

±1% / 1.6% Accuracy

Silicone Liquid Filled - 2½" & 4"

This line of ammonia gauges is designed for use with refrigeration ammonia, or any other process media that is compatible with stainless steel. These gauges are hermetically sealed for outdoor use and can be liquid filled for applications exposed to vibration. **CAUTION: When using liquid-filled gauges on applications other than refrigeration ammonia, consult factory for fill fluid recommendation.**

Models

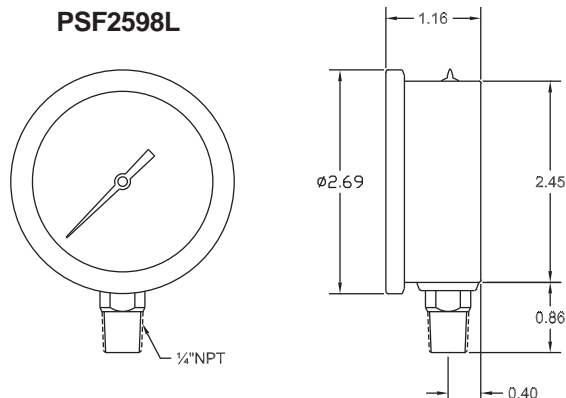
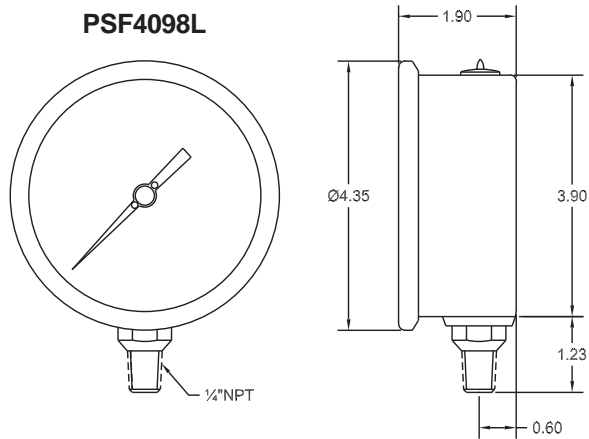
Model	Dial Size	Filled
PSF4098L	4"	Silicone
PSF2598L	2½"	Silicone

Standard Ranges

Code	Range
006SSA	30" Hg-150 psi & °F
008SSA	30" Hg-300 psi & °F

Other ranges available - consult factory.

Dimensions (in.)



PSF4098L-SSA

General Specifications

- CASE:** 300 series stainless steel.
- RING:** 300 series stainless steel, crimped.
- LENS:** Polycarbonate.
- DIAL:** Aluminum, white finished with black markings.
- POINTER:** 4": Aluminum, black, micro-adjustable.
2½": Aluminum, black, non-adjustable.
- MOVEMENT:** Stainless steel, rotary type.
- TUBE & SOCKET:** 316 Stainless steel.
- CONNECTION:** 1/4" NPT bottom outlet.
- ACCURACY:** 4": ±1% (ASME B40.1 Grade 1A). 2½": ±1.6% Full Scale (exceeds ASME B40.100 Grade B).
- PROCESS TEMPERATURE:** DRY: -40 to 200°F (-40 to 93°C), LIQ. FILLED: 0 to 140°F (-18 to 60°C).
- AMBIENT TEMPERATURE:** DRY: -40 to 140°F (-40 to 60°C), LIQ. FILLED: 0 to 140°F (-18 to 60°C).

To Order

PSF4098L 008 SS A
 Model Number Range Code Stainless Steel Ammonia Range

200 Elizabeth St. Mt. Clemens, MI 48043

Ph: 888.888.1498 Fax: 586.777.7891 www.miljoco.com

