

# ALTITUDE GAUGE

±½% / ±1% Accuracy

## 4½" - Aluminum or Stainless Steel Case

Miljoco Altitude Gauges are ideal for measuring water height in hot-water heating system components such as tanks, reservoirs or stand pipes. They are furnished with dual-scale (psi & feet of water) dials and available in either ½% or 1% accuracy. **CAUTION: A coil syphon must be installed on the connection when used on steam applications.**

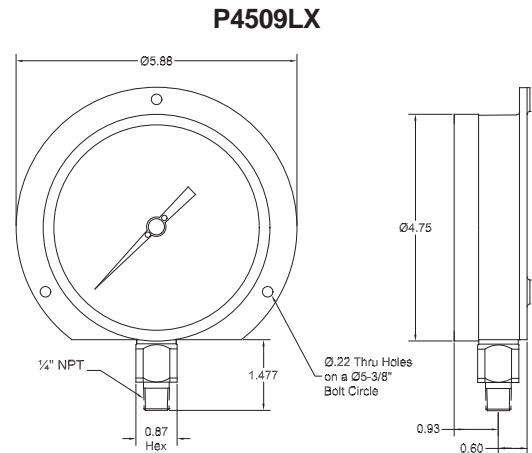
### General Specifications

MODEL	P4509LX	P4598L
SIZE	4½"	4½"
CASE	Cast aluminum	Stainless steel
MOUNTING	Surface mount, rear flange	Stem mount, flangeless
RING	Stainless steel	Stainless steel
LENS	Glass	Acrylic
DIAL	White aluminum	White aluminum
POINTER	Black aluminum, micro-adjustable	Black aluminum, adjustable
MOVEMENT	Stainless steel	Brass
TUBE	Bronze	Bronze
SOCKET	Brass	Brass
CONNECTION	1/4" NPT lower	1/4" NPT lower
ACCURACY	±½%	±1%
PROCESS TEMPERATURE	-40 to 200°F (-40 to 93°C)	-40 to 200°F (-40 to 93°C)
AMBIENT TEMPERATURE	-40 to 140°F (-40 to 60°C)	-40 to 140°F (-40 to 60°C)



P4509LX

### Dimensions (in.)



P4509LX

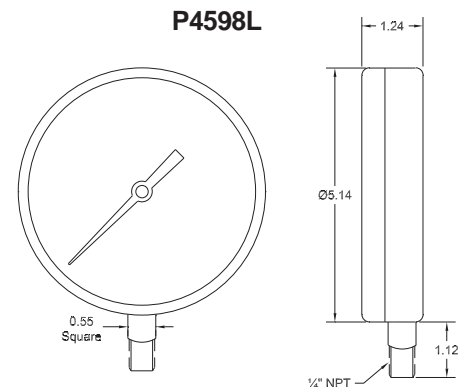
### Ranges

Code	Range
006F	30" Hg-150 psi / -70-345 ft/H2O
02F	0-15 psi / 0-35 ft/H2O
03F	0-30 psi / 0-70 ft/H2O
04F	0-60 psi / 0-140 ft/H2O
05F	0-100 psi / 0-230 ft/H2O
06F	0-160 psi / 0-370 ft/H2O
07F	0-200 psi / 0-460 ft/H2O
08F	0-300 psi / 0-690 ft/H2O

### To Order

**P4598L**  
Model Number

**05E**  
Range Code



P4598L

200 Elizabeth St. Mt. Clemens, MI 48043

Ph: 888.888.1498 Fax: 586.777.7891 www.miljoco.com

