

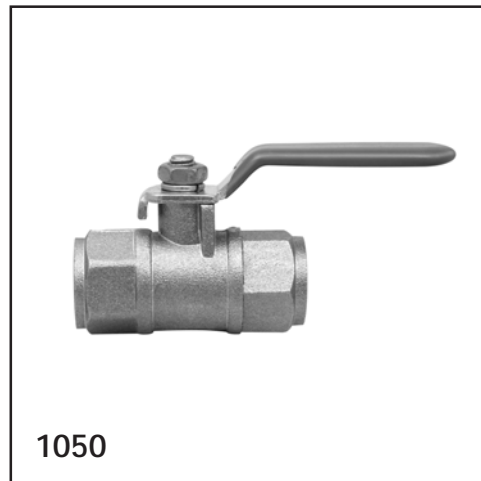
# PRESSURE GAUGE ACCESSORIES

## Isolating Valves

### Ball Valves

The Miljoco brass ball valve is an ideal isolating valve between a pressure gauge and the medium being measured. This valve facilitates removal of the gauge for repair or replacement without compromising the piped system. **CAUTION: A coil syphon should be used between ball valve and steam service.**

Model	Material	Connection	Maximum Pressure	Maximum Temp.
1050	Brass	1/4" NPT, F x F	300 psi	250°F
1075	Brass	1/4" NPT, M x F	300 psi	250°F



### Needle Valves

Miljoco needle valves are available in brass, steel and 316 stainless steel, and are designed especially for pressure gauge service. The internal design and easy-to-turn handle allows the valve to be opened smoothly and precisely during the start-up process, thus preventing pressure spikes to the instrument. **CAUTION: A coil syphon should be used between needle valve and steam service.**

Model	Material	Connection	Maximum Pressure	Maximum Temp.
1100-25-B	Brass	1/4" NPT, F x F	600 psi	300°F
1100-25-CS	Steel	1/4" NPT, F x F	1000 psi	300°F
1100-25-316	316SS	1/4" NPT, F x F	5000 psi	300°F
1100-50-CS	Steel	1/2" NPT, F x F	3000 psi	300°F
1100-50-316	316SS	1/2" NPT, F x F	5000 psi	300°F

