

PRESSURE/TEMPERATURE TESTING

Test Plugs & Kits

MEASURING:

Pressure/temperature flow rate.

SAMPLING:

Retrieve samples without disrupting system.

BLEEDING:

Bleed air from A/C lines to increase efficiency.

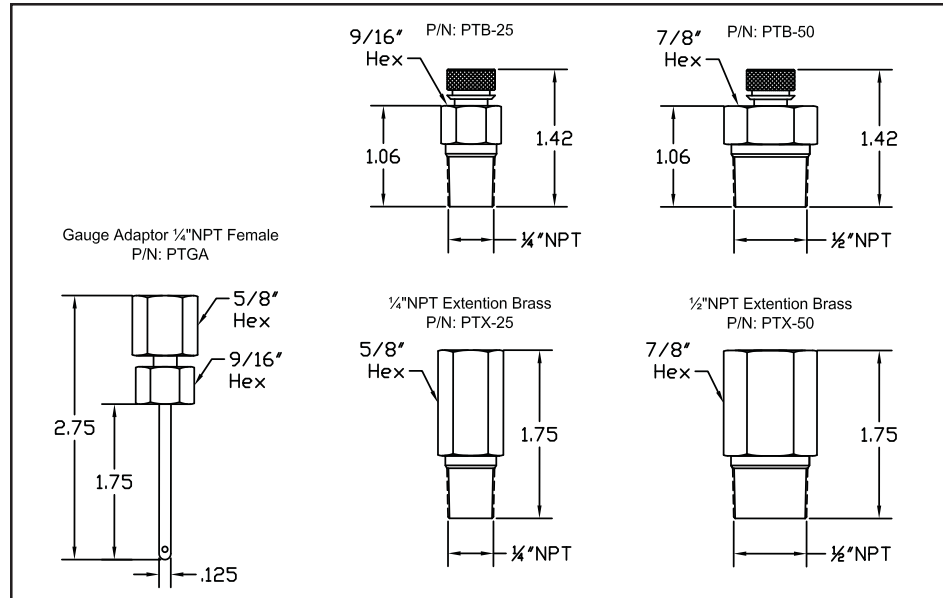
ECONOMY:

Single set of gauges to test or sample all points.

EFFICIENCY:

Quickly move from point to point. Fingertip caps provide quick and easy access.

SECURITY: Testing equipment is not duplicated nor prone to vandalism, climate extremes or corrosive contaminants.



Test Kits

Model	Dial Size	Pressure Range
PTK-30-25	2½"	0-30 psi
PTK-30-35	3½"	0-30 psi
PTK-60-25	2½"	0-60 psi
PTK-60-35	3½"	0-60 psi
PTK-100-25	2½"	0-100 psi
PTK-100-35	3½"	0-100 psi
PTK-160-25	2½"	0-160 psi
PTK-160-35	3½"	0-160 psi
PTK-200-25	2½"	0-200 psi
PTK-300-35	3½"	0-200 psi

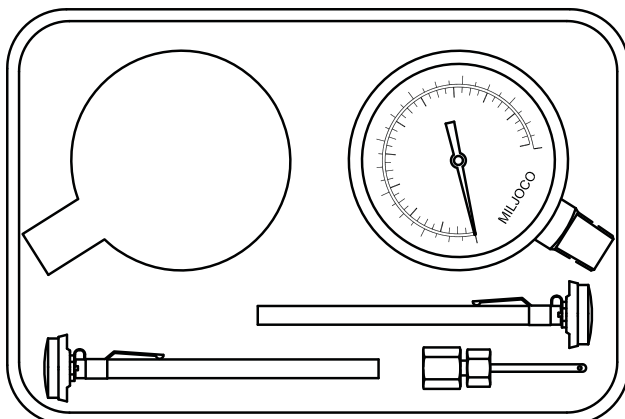
Each test kit consists of: (1) P2508L/P3508L ___, (1) B1098M82C-5.0, (1) B1098M95C-5.0, (1) PTGA, (1) Convenient Carrying Case

Test Plugs

Model	Body Material	Conn. Size	Core	Max. Temp.	Max. Pressure
PTB-25	Brass	1/4" NPT	Nordel	350°F (175°C)	1000 psi
PTB-50	Brass	1/2" NPT	Nordel	350°F (175°C)	1000 psi

Accessories

Model	Description	Material	Conn. Size	Length
PTX-25	Extension	Brass	1/4" NPT	1¾" OAL
PTX-50	Extension	Brass	1/2" NPT	1¾" OAL
PTGA	Gauge Adapter	SS	Ø 0.125	1¾"



Gauges / Thermometers

Model	Dial Size	Conn.	Stem Length	Range
P2508L03	2½"	¼" NPT	N/A	0-30 psi
P2508L04	2½"	¼" NPT	N/A	0-60 psi
P2508L05	2½"	¼" NPT	N/A	0-100 psi
P2508L06	2½"	¼" NPT	N/A	0-160 psi
P2508L07	2½"	¼" NPT	N/A	0-200 psi
B1098M82C-5.0	1"	N/A	5"	0-220°F
B1098M95C-5.0	1"	N/A	5"	50-500°F

200 Elizabeth St. Mt. Clemens, MI 48043

Ph: 888.888.1498 Fax: 586.777.7891 www.miljoco.com

