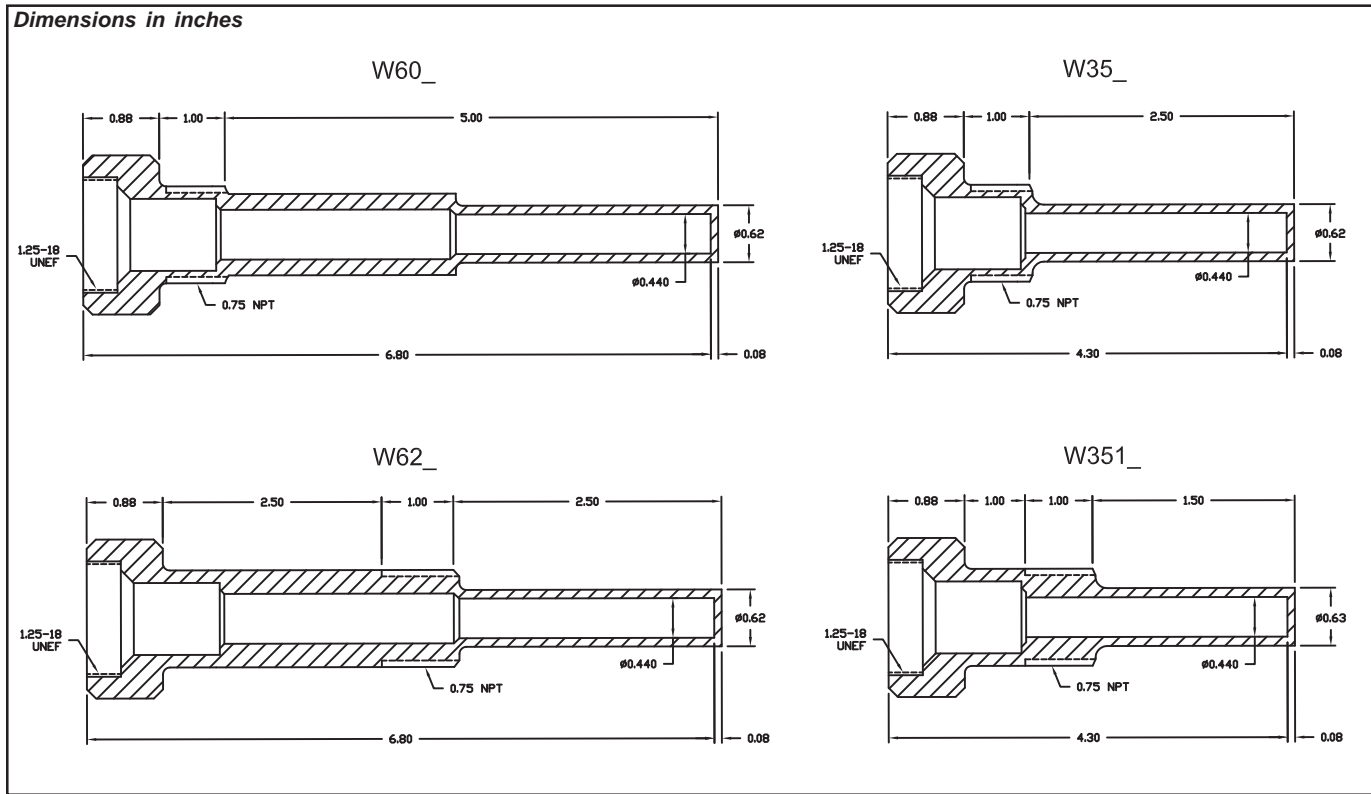


INDUSTRIAL THERMOMETER

Thermowells



These thermowells are designed for use with Miljoco liquid-in-glass and solar industrial thermometers. They are intended to separate and protect the thermometer from the process or media being measured and allow for the removal of the thermometer without shutting down the process. They are readily available in brass, type 304 stainless steel, or type 316 stainless steel construction to suit a wide range of applications. Other materials are available on request - consult factory.

The thermowell should be primed before thermometer installation with a heat transfer medium such as oil, graphite or paste to provide optimal accuracy and response time.

Models & Dimensions (in.)

Stem Length "S"	Process Conn. "A"	Immersion Length "U"	Lagging Ext. "T"	Material		
				Brass	304SS	316SS
3½"	¾" NPT	2.50"	None	W35B	W35304	W35316
3½"	¾" NPT	1.50"	1.00"	W351B	W351304	W351316
6"	¾" NPT	5.00"	None	W60B	W60304	W60316
6"	¾" NPT	2.50"	2.00"	W62B	W62304	W62316

Pressure/Temperature Ratings

Material	Temperature						
	70°F	200°F	400°F	600°F	800°F	1000°F	1200°F
Brass	1600 psi	1400 psi	300 psi	-	-	-	-
304SS	2300 psi	2000 psi	1800 psi	1800 psi	1700 psi	1500 psi	500 psi
316SS	2300 psi	2300 psi	2100 psi	2000 psi	2000 psi	1700 psi	800 psi

