

BIMETAL THERMOMETER

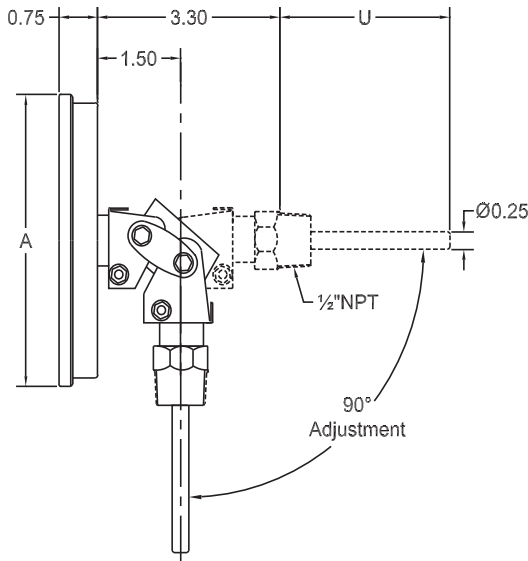
3" or 5" Adjustable Angle

Miljoco adjustable angle bimetal thermometers are a favorite for their versatility. The construction industry values this instrument, where on-the-job piping requires reading the instrument from a variety of angles. The connection can be rotated 360° and the face can be angled 180° for the user's convenience. These instruments are designed to withstand vibration and other rugged abuse. The hermetically-sealed, stainless steel case prevents moisture from entering into the instrument and fogging the lens, thus allowing the operator to obtain clear, accurate readings.

General Specifications

- CASE & RING:** Hermetically sealed 300 series stainless steel.
- ADJUSTABLE BRACKET:** 300 series stainless steel.
- LENS:** Double strength glass standard, with polycarbonate (250°F maximum range) optional.
- DIAL:** Anti-parallax, aluminum with white finish and black markings.
- POINTER:** Black.
- RECALIBRATOR:** External recalibrator on rear of case.
- CONNECTION:** 300 series stainless steel, 1/2" NPT.
- STEM:** 300 series stainless steel, Ø 0.250".
- ACCURACY:** ±1% full range (ASME B40.3 Grade A).
- AMBIENT TEMPERATURE:** -40 to 250°F (-40 to 120°C).

Models & Dimensions (in.)



Model	Dial Size	Lens	A	B	C	D
B3099A	3"	Glass	3.18	0.625	1.60	3.50
B3098A	3"	Polycarb.	3.18	0.625	1.60	3.50
B5099A	5"	Glass	5.14	0.685	1.60	3.50
B5098A	5"	Polycarb.	5.14	0.685	1.60	3.50



Ranges

Range Code	Range	°F Scale		°C Scale	
		Fig.	Div.	Fig.	Div.
39	-40 to 160°F / -40 to 70°C	20°	2°	10°	1°
43	25 to 125°F / -5 to 50°C	10°	1°	5°	.5°
54	0 to 250°F / -20 to 120°C	50°	2°	20°	2°
63	50 to 300°F / 10 to 150°C	50°	2°	20°	2°
94	50 to 500°F / 10 to 260°C	50°	2°	20°	2°
65	150 to 750°F / 50 to 400°C	100°	10°	50°	5°
59	200 to 1000°F / 100 to 530°C	100°	10°	50°	5°

Other ranges may be available - consult factory.

Stem Lengths

Stem Length "U" (in.)					
Code	2	4	6	9	12
Dim.	2.50	4.00	6.00	9.00	12.00

Other stem lengths available - consult factory.

To Order

B5099A **43** - **6**
 Model Number Range Stem
 Code Length

Options

- Polycarbonate Lens (Model B5098A or B3098A)
- Silicone Fill (Model BSF5099A or BSF3099A)

