

SOLAR DIGITAL THERMOMETER

3" Adjustable Angle

The Miljoco CD3099A is operated by solar power with an auxiliary battery back-up to allow the display to function continuously, even in low light levels. It has a bright and easy to read LCD display. This thermometer has a sealed case and can be switched in the field from °F to °C through the access port on the rear of the case. It is an excellent choice for a variety of applications, including industrial processing, food processing and commercial HVAC.

General Specifications

CASE & RING: Hermetically sealed 300 series stainless steel.

LENS: Polycarbonate.

STEM: 300 series stainless steel, Ø 0.250".

CONNECTION: 300 series stainless steel, 1/2" NPT.

SENSOR: Glass passivated thermistor.

RANGE: -58 to 302°F (-50 to 150°C), field-switchable between °F & °C.

DISPLAY: LCD, black character, 0.50" high with gray background.

ILLUMINANCE: Solar collector, 100 lux, with battery backup for continuous service.

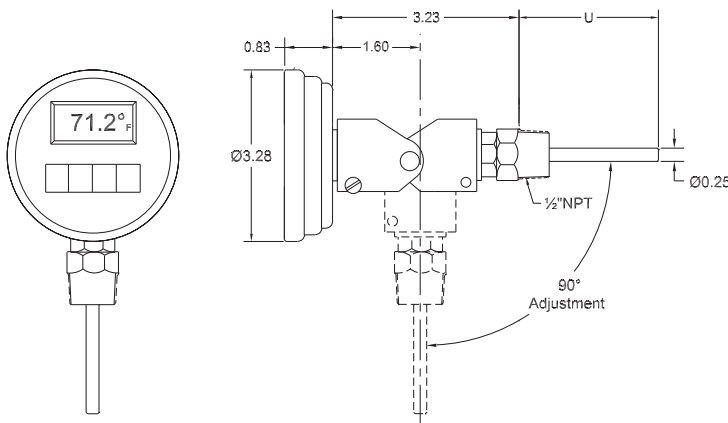
UPDATE TIME: 10 seconds.

ACCURACY: Greater value of 2°F (1°C) or 1% of reading.

RESOLUTION: 0.1°F or °C.

AMBIENT TEMPERATURE: -40 to 250°F (-40 to 120°C).

Dimensions (in.)



Range

| Range Code | Range |
|------------|-----------------------------|
| 85 | -58 to 302°F / -50 to 150°C |

Other ranges may be available - consult factory.

Stem Lengths

| Code | Stem Length "U" (in.) | | | |
|------|-----------------------|------|------|-------|
| | 4 | 6 | 9 | 12 |
| Dim. | 4.00 | 6.00 | 9.00 | 12.00 |

Other stem lengths available - consult factory.

To Order

CD3098A **85** - **6**
 Model Number Range Code Stem Length

