

# DIAL THERMOMETER

Remote Reading

## Flush Mount - U-Clamp Case - 2", 2½", 3½" Dial Size

Miljoco vapor dial thermometers are manufactured to the highest standards for a wide range of uses and may be fitted into almost any temperature reading application. These instruments are ideal for obtaining readings from remote locations. Being vapor actuated, they are not subject to any ambient temperature variations along the tube system and give excellent readings both above and below ambient. Vapor instruments have progressive graduations and are best read in the upper two-thirds of the range. Many ranges are available between -40°F and 450°F. This series is designed for flush panel-mounting and is furnished with a u-clamp for this service.

### General Specifications

**CASE:** 300 series stainless steel or ABS plastic in gray. Other colors available.

**U-CLAMP:** CRS zinc plated.

**LENS:** Polycarbonate, press-in or threaded.

**DIAL:** Aluminum with white finish and black markings.

**POINTER:** Black, adjustable.

**MOVEMENT:** Brass with precision gearing.

**BOURDON TUBE:** Phosphor bronze.

**ACCURACY:** ±One scale division.

**TUBE SYSTEM:**

**CAPILLARY TUBING:** 60" tin-plated copper (std.).

**CONNECTION:** Plain.

**SENSING BULB:** Nickel-plated copper bulb, Ø 7/16".

*Other tube systems and capillary lengths available - see page 62.*

**AMBIENT TEMPERATURE:** -40 to 140°F (-40 to 60°C).

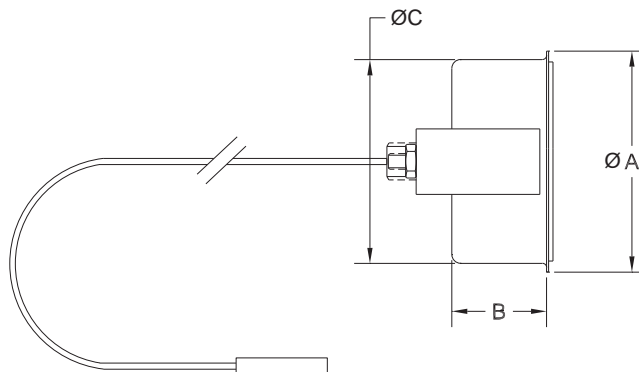
**NSF® Service**

Many Miljoco thermometers are listed by NSF® for use in the food service industry. Consult factory for available models and ranges.



V2567

### Models & Dimensions (in.)



\*Maximum panel thickness 0.736".

### To Order

Select a **Model Number**, then see **Page 64** for temperature range and tube system selections.

### Options

- Tubing Strain Relief
- Case Sealant
- Silicone Dampening
- Weephole
- Over Range Protection
- Lens O-Ring

Model	Dial Size	Case Mat'l	Outlet	Lens	A	B	C
V2066	2"	SS	Rear	Press-in	2.24	1.09	2.06
V2046	2"	ABS	Rear	Press-in	2.24	1.09	2.06
V2067	2"	SS	Rear	Threaded	2.24	1.09	2.06
V2066L	2"	SS	Lower	Press-in	2.24	1.09	2.06
V2046L	2"	SS	Lower	Press-in	2.24	1.09	2.06
V2067L	2"	SS	Lower	Threaded	2.24	1.09	2.06
V2567	2½"	SS	Rear	Threaded	2.86	1.09	2.56
V2567L	2½"	SS	Lower	Threaded	2.86	1.09	2.56
V3567	3½"	SS	Rear	Threaded	3.94	1.09	3.50
V3567L	3½"	SS	Lower	Threaded	3.94	1.09	3.50

