

LIQUID FILLED GAUGE

±3-2-3% Accuracy

1½" Dial - Brass Wetted Parts

The Miljoco Models PLF1598L and PLF1598 are rugged & durable and suitable for a wide variety of commercial and general service applications. The stainless steel case is filled with glycerine to protect the internals against vibration and pulsation. This unit is completely weather-proof and excellent for pumps, air compressors, irrigation systems, and other installations suitable for brass process connections. **CAUTION: A coil syphon must be installed on the connection when used on steam applications.**

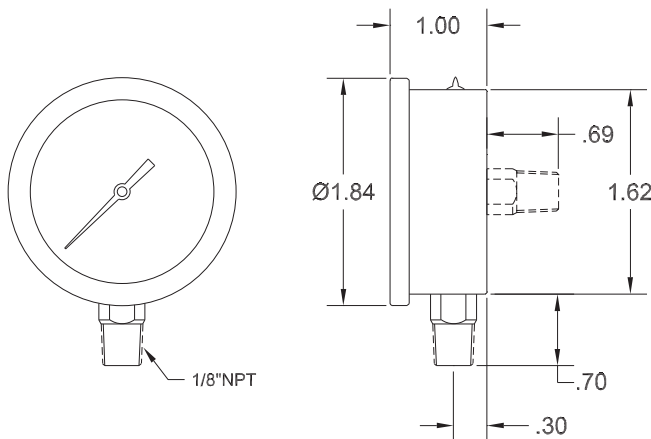
General Specifications

- CASE:** Stainless steel.
- RING:** Crimped stainless steel.
- LENS:** Acrylic.
- DIAL:** Aluminum, white finished with black markings.
- POINTER:** Aluminum, black, non-adjustable.
- MOVEMENT:** Brass with precision-milled teeth.
- TUBE & SOCKET:** Brass.
- CONNECTION:** See table below.
- ACCURACY:** ±3-2-3% (ASME B40.100 Grade B).
- PROCESS TEMPERATURE:** 0 to 140°F (-18 to 60°C).
- AMBIENT TEMPERATURE:** 0 to 140°F (-18 to 60°C).

Models

Model	Dial Size	Outlet	Conn.
PLF1598L	1½"	Bottom	1/8" NPT
PLF1598	1½"	Back	1/8" NPT

Dimensions (in.)



PLF1598

Standard Ranges

Code	Range	psi		bar	
		Fig.	Div.	Fig.	Div.
001	30" Hg-0 & bar	5	1	0.2	0.02
003	30" Hg-0-30 psi & bar	10	1	0.5	0.1
005	30" Hg-0-100 psi & bar	20	2	1	0.2
008	30" Hg-0-300 psi & bar	50	10	20	0.5
02	0-15 psi & bar	2.5	0.5	0.2	0.02
03	0-30 psi & bar	5	1	0.5	0.05
04	0-60 psi & bar	10	2	1	0.1
05	0-100 psi & bar	20	2	1	0.2
06	0-160 psi & bar	40	5	2	0.2
07	0-200 psi & bar	50	5	2	0.5
08	0-300 psi & bar	50	10	5	0.5
09	0-400 psi & bar	100	10	4	1
10	0-600 psi & bar	100	20	10	1

*Some ranges may require minimum order quantities - consult factory.

To Order

PLF1598

Model Number

04

Range Code

200 Elizabeth St. Mt. Clemens, MI 48043

Ph: 888.888.1498 Fax: 586.777.7891 www.miljoco.com

