

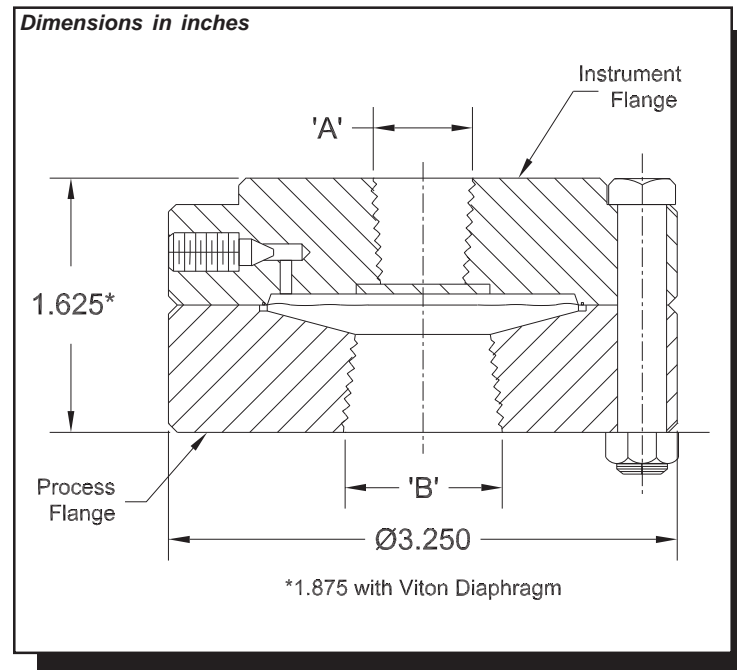
DIAPHRAGM PROTECTION SEALS

Pipe Mounted Seals

Miljoco pipe mounted diaphragm protection seals are ideal for use when the process media of a system will corrode, clog, or otherwise damage a pressure gauge or inhibit its operation. A cleanout design is available which allows the seal to be disassembled to remove sludge or hardened build-up. A flushing connection is also available so that the system can be piped for continuous flow to prevent media from hardening or caking.

Models

Model	Connection	Flushing Connection	Design
DS100	Threaded	None	Non-Cleanout
DS110	Threaded	¼" NPT	Non-Cleanout
DS101	Threaded	None	Cleanout
DS111	Threaded	¼" NPT	Cleanout



Connections & Materials

Connections			Diaphragm Materials		Process Flange Materials	
Code	Instrument Connection (A)	Process Connection (B)	Code	Material	Code	Material
01	¼" NPT	¼" NPT	F	304 Stainless Steel	C	Steel
02	½" NPT	¼" NPT	G	Hastelloy B	F	304 Stainless Steel
03	¼" NPT	½" NPT	H	Hastelloy C	H	Hastelloy C
04	½" NPT	½" NPT	M	Monel	M	Monel
05	¼" NPT	¾" NPT	S	316 Stainless Steel	S	316 Stainless Steel
06	½" NPT	¾" NPT	T	Teflon	T	Teflon
07	¼" NPT	1" NPT	U	Tantalum		
08	½" NPT	1" NPT	V	Viton		
Instrument Flange is Carbon Steel						
<i>Other styles, sizes, and materials may be available - consult factory.</i>						

To Order

DS101
Model Number

01
Connection Code

S
Diaphragm
Material Code

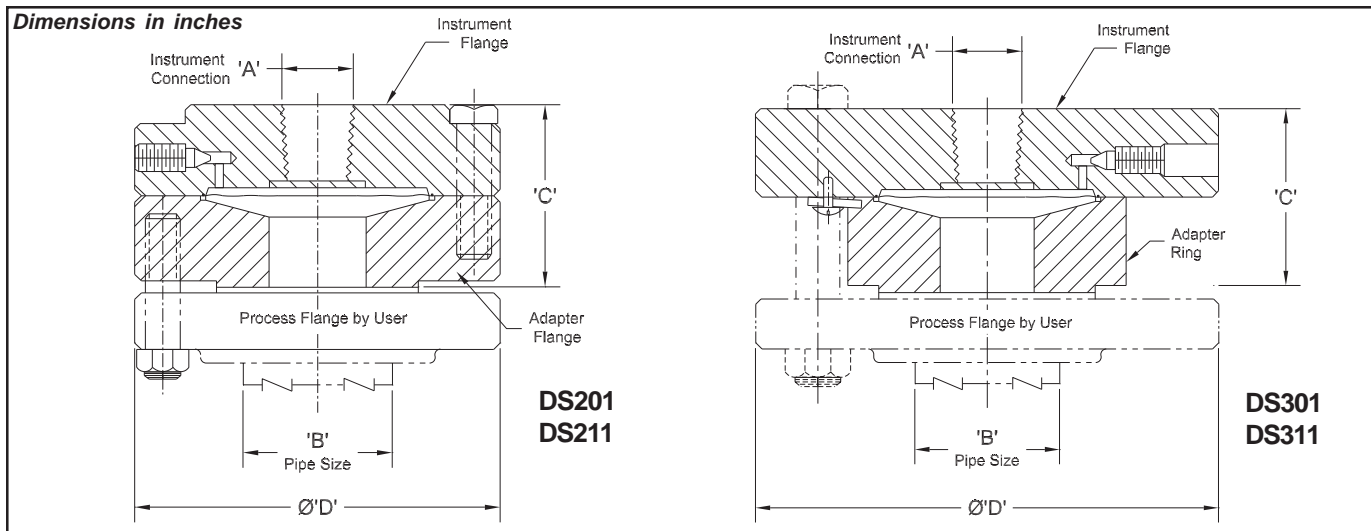
S
Process Flange
Material Code

200 Elizabeth St. Mt. Clemens, MI 48043

Ph: 888.888.1498 Fax: 586.777.7891 www.miljoco.com

DIAPHRAGM PROTECTION SEALS

Flange Mounted Seals



Miljoco flange mounted diaphragm protection seals are ideal for use when the process media of a system will corrode, clog, or otherwise damage a pressure gauge or inhibit its operation. They incorporate a cleanout design, which allows the seal to be disassembled to remove sludge or hardened build-up. A flushing connection is also available so that the system can be piped for continuous flow to prevent media from hardening or caking.

Models

Model	Type	Flushing Conn.	Design
DS201	Flanged	None	Cleanout
DS211	Flanged	1/4" NPT	Cleanout
DS301	Flanged	None	Cleanout
DS311	Flanged	1/4" NPT	Cleanout

Connections & Materials

Models	Connections & Dimensions					Diaphragm Materials		Adapter Flange Materials	
	Code	Instrument Connection (A)	Pipe Size (B)	C	D	Code	Material	Code	Material
DS201 DS211	01	1/4" NPT	1/2" 150# RFF	1.69	3.25	F	304 Stainless Steel	C	Steel
	02	1/2" NPT	1/2" 150# RFF	1.69	3.25	G	Hastelloy B	F	304 Stainless Steel
	03	1/4" NPT	1/2" 300# RFF	1.69	3.50	H	Hastelloy C	H	Hastelloy C
	04	1/2" NPT	1/2" 300# RFF	1.69	3.50	M	Monel	M	Monel
	11	1/4" NPT	3/4" 150# RFF	1.69	3.50	S	316 Stainless Steel	S	316 Stainless Steel
	12	1/2" NPT	3/4" 150# RFF	1.69	3.50	T	Teflon		
DS301 DS311	21	1/4" NPT	1" 150# RFF	1.69	4.25	U	Tantalum		
	22	1/2" NPT	1" 150# RFF	1.69	4.25	V	Viton		
	23	1/4" NPT	1" 300# RFF	1.69	4.75				
	24	1/2" NPT	1" 300# RFF	1.69	4.75				
	41	1/4" NPT	1 1/2" 150# RFF	1.63	5.00				
	42	1/2" NPT	1 1/2" 150# RFF	1.63	5.00				
	43	1/4" NPT	1 1/2" 300# RFF	1.63	6.00				
	44	1/2" NPT	1 1/2" 300# RFF	1.63	6.00				
	51	1/4" NPT	2" 150# RFF	1.63	6.00				
	52	1/2" NPT	2" 150# RFF	1.63	6.00				
	53	1/4" NPT	2" 300# RFF	1.81	6.50				
	54	1/2" NPT	2" 300# RFF	1.81	6.50				
Instrument Flange is Carbon Steel									

Other styles, sizes, and materials may be available - consult factory.

To Order

DS201

Model Number

01

Connection Code

S

Diaphragm Code

S

Connection Code

200 Elizabeth St. Mt. Clemens, MI 48043

Ph: 888.888.1498 Fax: 586.777.7891 www.miljoco.com

