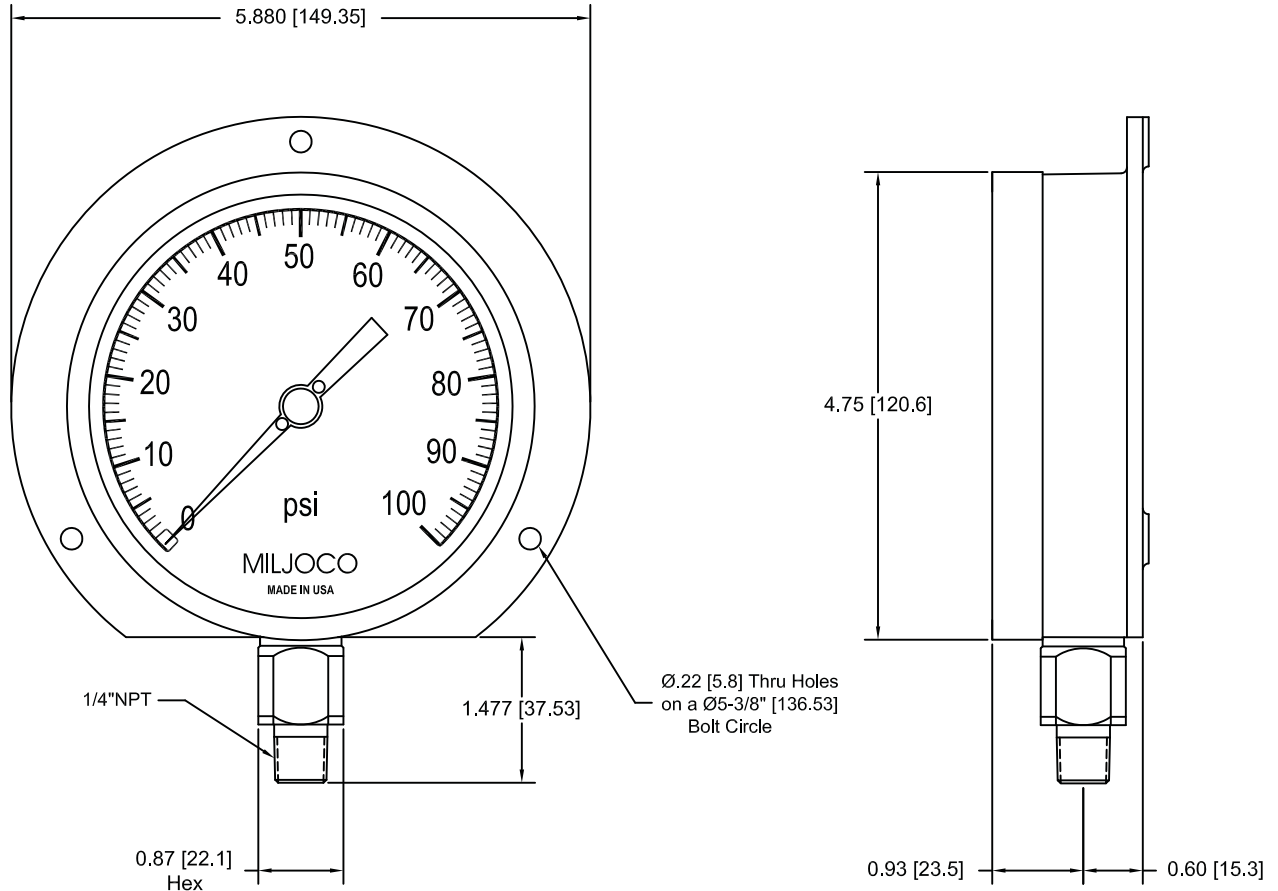


**General Specifications**

Model Number: P4509LX - Dry  
 Case: Black Finished Cast Aluminum  
 Ring: Stainless Steel  
 Tube: Phosphor Bronze  
 Socket: Brass  
 Movement: Stainless Steel  
 Lens: Glass  
 Scale: Aluminum-white finish with black markings  
 Pointer: Micro-adjustable  
 Connection: 1/4"NPT Lower mount  
 Accuracy: ±0.5% full scale  
 ASME B40.1 Grade 2A  
 Assembly Origin: **United States of America**

STANDARD RANGE		GRADUATIONS	
Code	Range	Fig.	Div.
001	30"Hg to 0	5	.2
002	30"Hg to 15psi	10/5	.5/2
003	30"Hg to 30psi	10/5	1/5
004	30"Hg to 60psi	10/10	1/1
005	30"Hg to 100psi	30/10	2/1
006	30"Hg to 150psi	30/25	5/2
008	30"Hg to 300psi	30/50	5/2
02	0 to 15psi	3	.1
03	0 to 30psi	5	.2
04	0 to 60psi	10	.5
05	0 to 100psi	10	1
06	0 to 160psi	20	2
07	0 to 200psi	20	2
08	0 to 300psi	50	2
09	0 to 400psi	50	5
10	0 to 600psi	100	5
11	0 to 1000psi	100	10



Customer: \_\_\_\_\_

Project: \_\_\_\_\_

Engineer: \_\_\_\_\_

Pro or PO#: \_\_\_\_\_

<b>MILJOCO</b>			
CORPORATION 200 Elizabeth Street, Mt. Clemens, Michigan 48043 USA			
SCALE:	None	APPROVED BY:	DRAWN BY: HMT
DATE:	2/27/04		REVISED:
Industrial Pressure Gauge P4509LX			
PART NUMBER:	P4509LX	DRAWING NUMBER:	127-86
DIMENSIONS: Inches [Metric]    Inches: .xx ± .010 .xxx ± .005    [Metric]: .xx ± .25 .xxx ± .13			