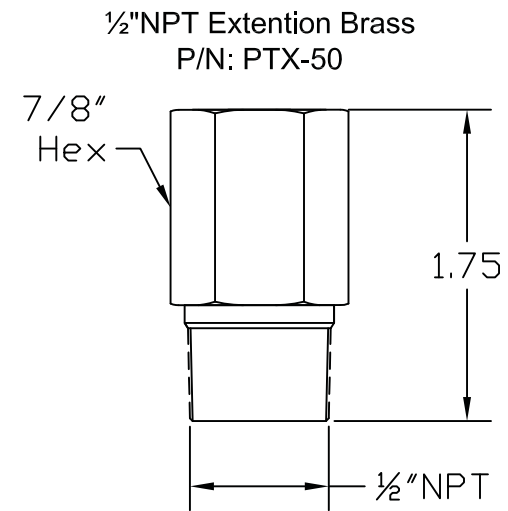
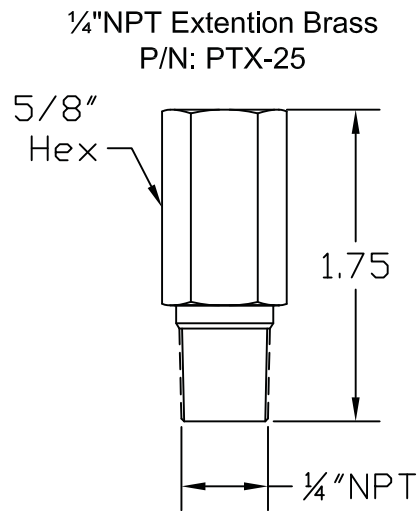
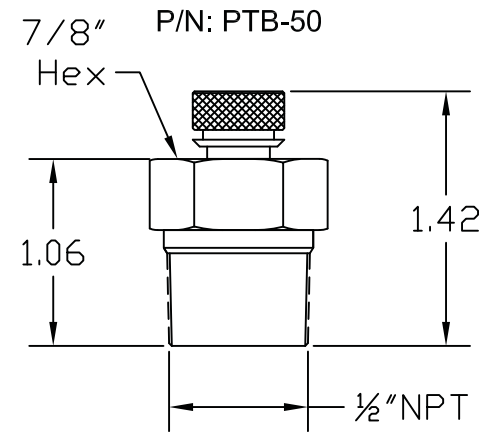
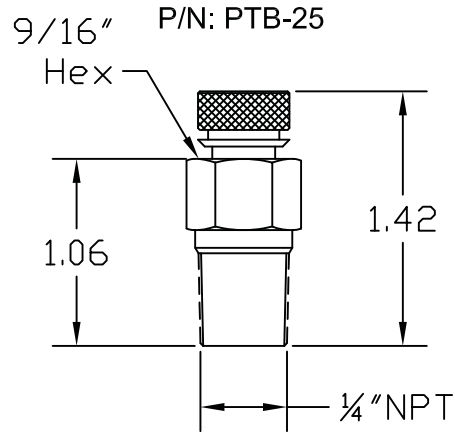
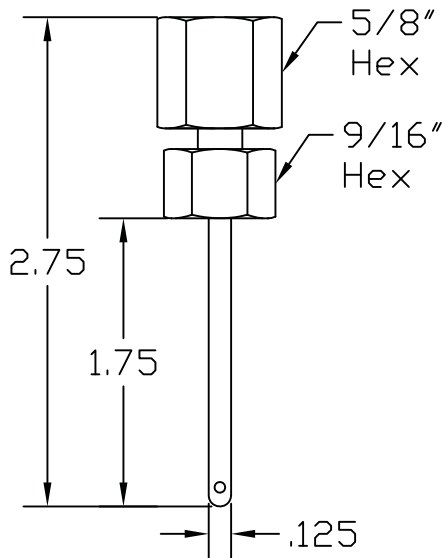


GENERAL SPECIFICATION

Body: Brass
 Plug Core: Nordel
 Connection: 1/4" NPT or 1/2" NPT
 Max Temp: 350°F
MADE IN USA

Gauge Adaptor 1/4"NPT Female
 P/N: PTGA



Customer: _____

Project: _____

Engineer: _____

Pro or PO#: _____

MILJOCO

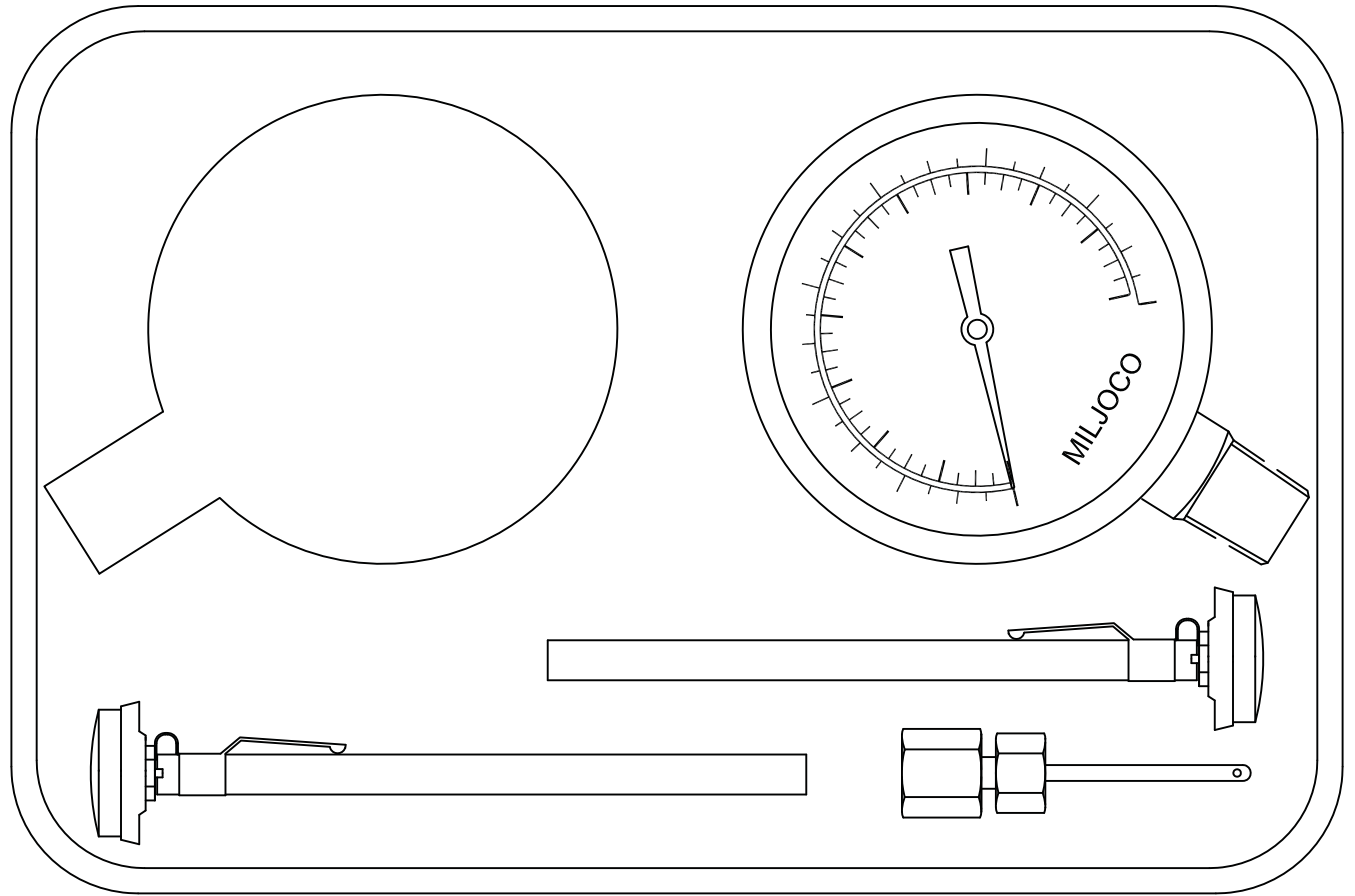
CORPORATION 200 Elizabeth Street, Mt. Clemens, Michigan 48043 USA

SCALE: None	APPROVED BY:	DRAWN BY: HMT
DATE: 1/15/07		REVISED:

Pressure/Temperature Plugs & Accessories

PART NUMBER:	DRAWING NUMBER: 127-134
DIMENSIONS: Inches [Metric] Inches: .xx ± .010 .xxx ± .005 [Metric]: .xx ± .25 .xxx ± .13	

Model	Description	Pressure Range
PTK-30-25	Test Kit 2.5" Gauge	0-30psi/bar
PTK-30-35	Test Kit 3.5" Gauge	0-30psi/bar
PTK-60-25	Test Kit 2.5" Gauge	0-60psi/bar
PTK-60-35	Test Kit 3.5" Gauge	0-60psi/bar
PTK-100-25	Test Kit 2.5" Gauge	0-100psi/bar
PTK-100-35	Test Kit 3.5" Gauge	0-100psi/bar
PTK-160-25	Test Kit 2.5" Gauge	0-160psi/bar
PTK-160-35	Test Kit 3.5" Gauge	0-160psi/bar
PTK-200-25	Test Kit 2.5" Gauge	0-200psi/bar
PTK-200-35	Test Kit 3.5" Gauge	0-200psi/bar
PTK-300-25	Test Kit 2.5" Gauge	0-300psi/bar
PTK-300-35	Test Kit 3.5" Gauge	0-300psi/bar



Each test kit consists of:
 1pc P2508L__ or 1pc P3508L__
 1pc B1098M82C-5.0 (0 to 220°F)
 1pc B1098M95C-5.0 (50 to 500°F)
 1pc Convenient Carrying Case

Customer: _____

Project: _____

Engineer: _____

Pro or P# #: _____

MILJOCO		
CORPORATION 200 Elizabeth Street, Mt. Clemens, Michigan 48043 USA		
SCALE: None	APPROVED BY:	DRAWN BY: HMT
DATE: 9/30/10		REVISED:
Pressure Temperature Test Kit		
PART NUMBER: PTK	DRAWING NUMBER: 127-196	
DIMENSIONS: Inches [Metric] Inches: .xx ± .010 .xxx ± .005 [Metric]: .xx ± .25 .xxx ± .13		