

Made in USA

General Specification

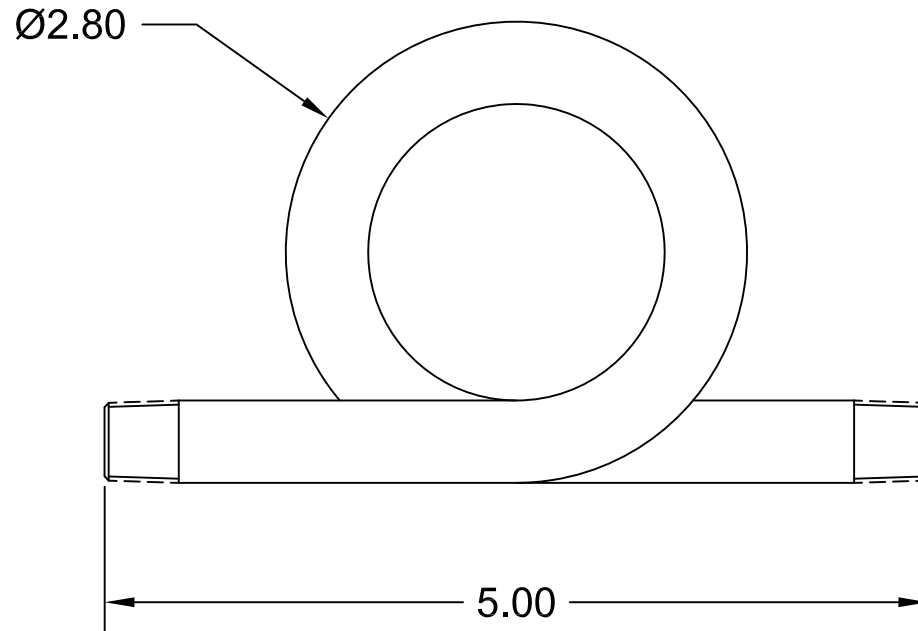
Body: Carbon Steel Sch40

(STD) SA-53 CW

Connection: 1/4"MNPTx1/4"MNPT

Max Press.: 308psi

Max Temp.: 650°F



Customer: _____

Project: _____

Engineer: _____

Pro or PO#: _____

MILJOCO

CORPORATION 200 Elizabeth Street, Mt. Clemens, Michigan 48043 USA

SCALE: None	APPROVED BY:	DRAWN BY: HMT
DATE: 7/23/03		REVISED:

1/4" NPT Steel Coil Syphon

.XX ± .010	.XXX ± .005	MODEL NUMBER: 1300-25-CS	DRAWING NUMBER: 127-76
------------	-------------	--------------------------	------------------------