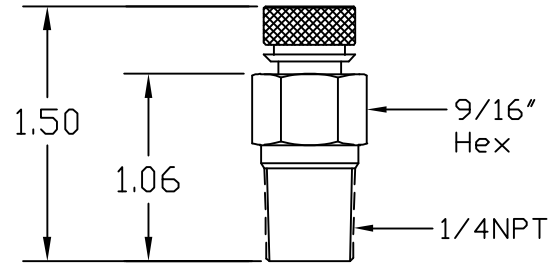


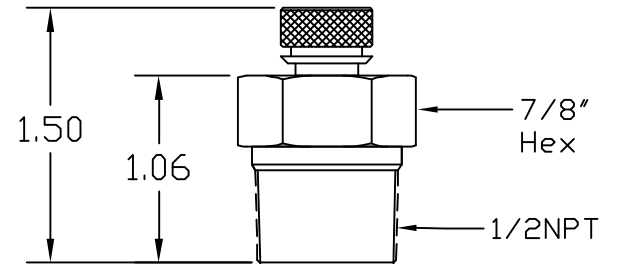
P/T Plug General Specification

Body: Brass  
 Core: Nordel  
 Design: Dual Core  
 Max Press: 1000psi  
 Max Temp: 350°F  
 Connection: 1/4" NPT or 1/2"NPT

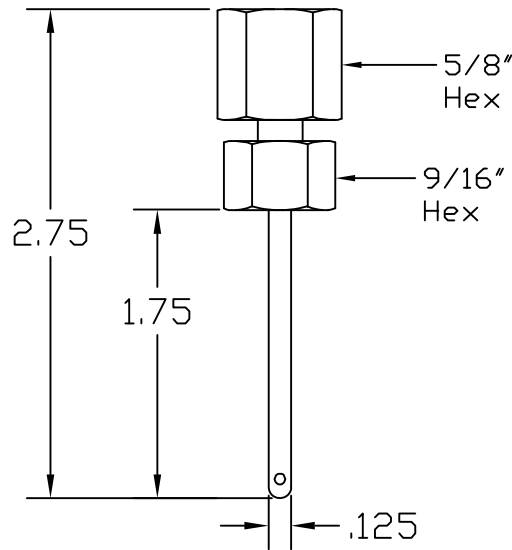
1/4"NPT Brass P/T Plug  
 P/N: PTB-25



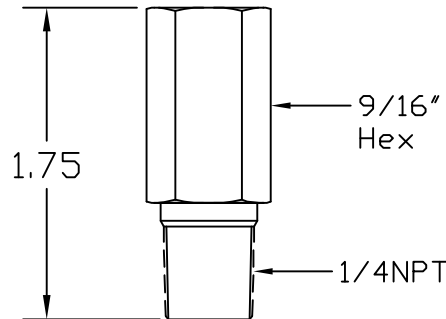
1/2"NPT Brass P/T Plug  
 P/N: PTB-50



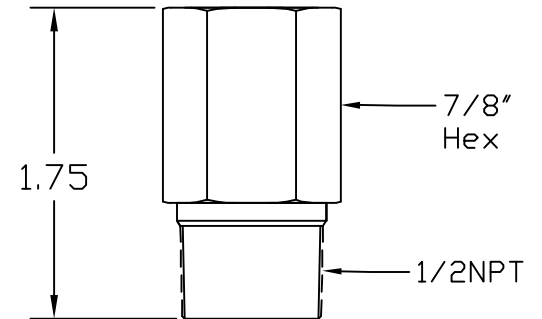
Gauge Adaptor 1/4"NPT Female  
 P/N: PTGA



1/4"NPT Brass Extension  
 P/N: PTX-25



1/2"NPT Brass Extension  
 P/N: PTX-50



Customer: \_\_\_\_\_

Project: \_\_\_\_\_

Engineer: \_\_\_\_\_

Pro or PO#: \_\_\_\_\_

**MILJOCO**

CORPORATION 200 Elizabeth Street, Mt. Clemens, Michigan 48043 USA

SCALE: None	APPROVED BY:	DRAWN BY: HMT
DATE: 9/26/16		REVISED:

**Pressure/Temperature Plugs & Accessories**

PART NUMBER:	DRAWING NUMBER: 127-134
DIMENSIONS: Inches [Metric] Inches: .xx ± .010 .xxx ± .005 [Metric]: .xx ± .25 .xxx ± .13	