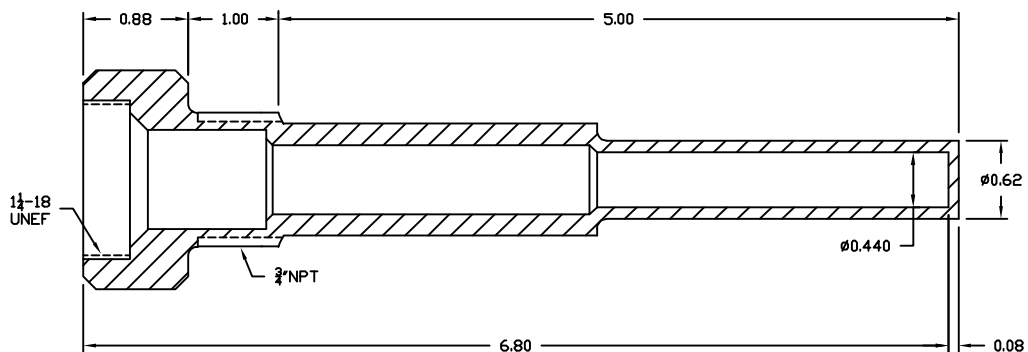
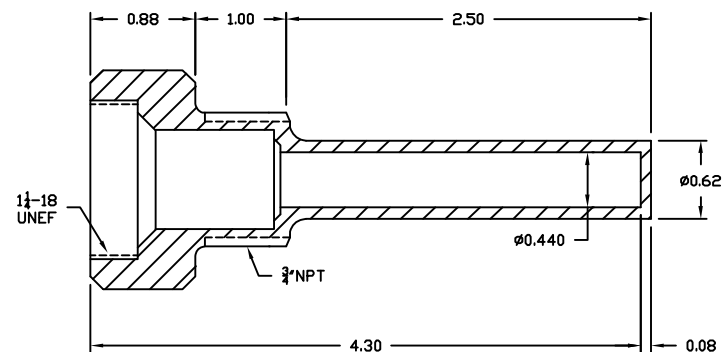


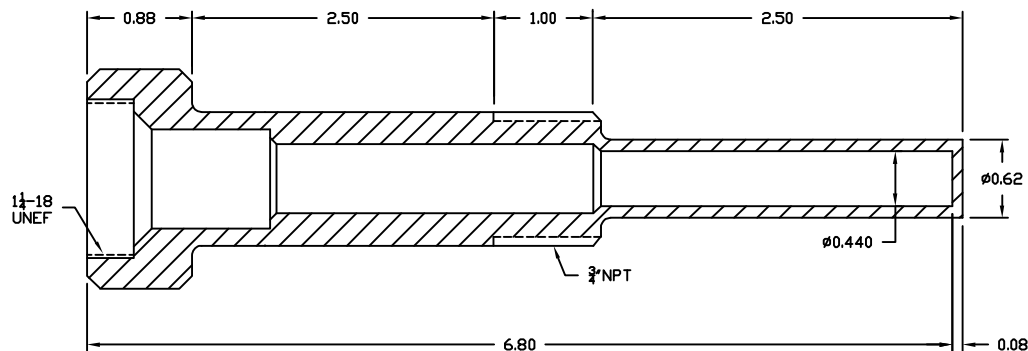
### W60 Series



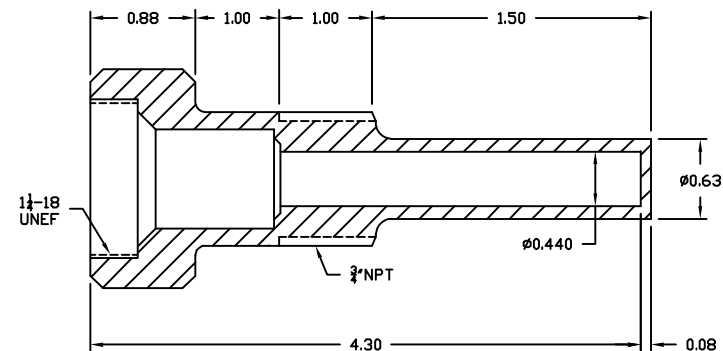
### W35 Series



### W62 Series



### W351 Series



Customer: \_\_\_\_\_

Engineer: \_\_\_\_\_

Project: \_\_\_\_\_

Pro or PO#: \_\_\_\_\_

Brass	304SS	316SS
W35B	W35304	W35316
W351B	W351304	W351316
W60B	W60304	W60316
W62B	W62304	W62316

## MILJOCO

CORPORATION 200 Elizabeth Street, Mt. Clemens, Michigan 48043 USA

SCALE: None	APPROVED BY:	DRAWN BY: HMT
DATE: 9/2/15		REVISED:

Wells for Industrial Thermometers

PART NUMBER: W35 & W6 series	DRAWING NUMBER: 127-105
DIMENSIONS: Inches [Metric] Inches: .xx ± .010 .xxx ± .005 [Metric]: .xx ± .25 .xxx ± .13	

Compliance Standard:  
ASME B40.200 section B40.9 Thermowells