

GENERAL SPECIFICATIONS

Case: Black fiber-reinforced nylon with a 3-hole surface-mount rear flange

Ring: Stainless steel

Lens: Glass, acrylic optional

Dial: Aluminum with white finish and black markings

Pointer: Aluminum, black, adjustable

Movement: Brass with precision-milled teeth

Bourdon Tube: Phosphor-bronze tube

Connection: Lead Free Brass 1/4"NPT bottom outlet

Accuracy: ±1% Full Scale (ASME B40.1 Grade 1A)

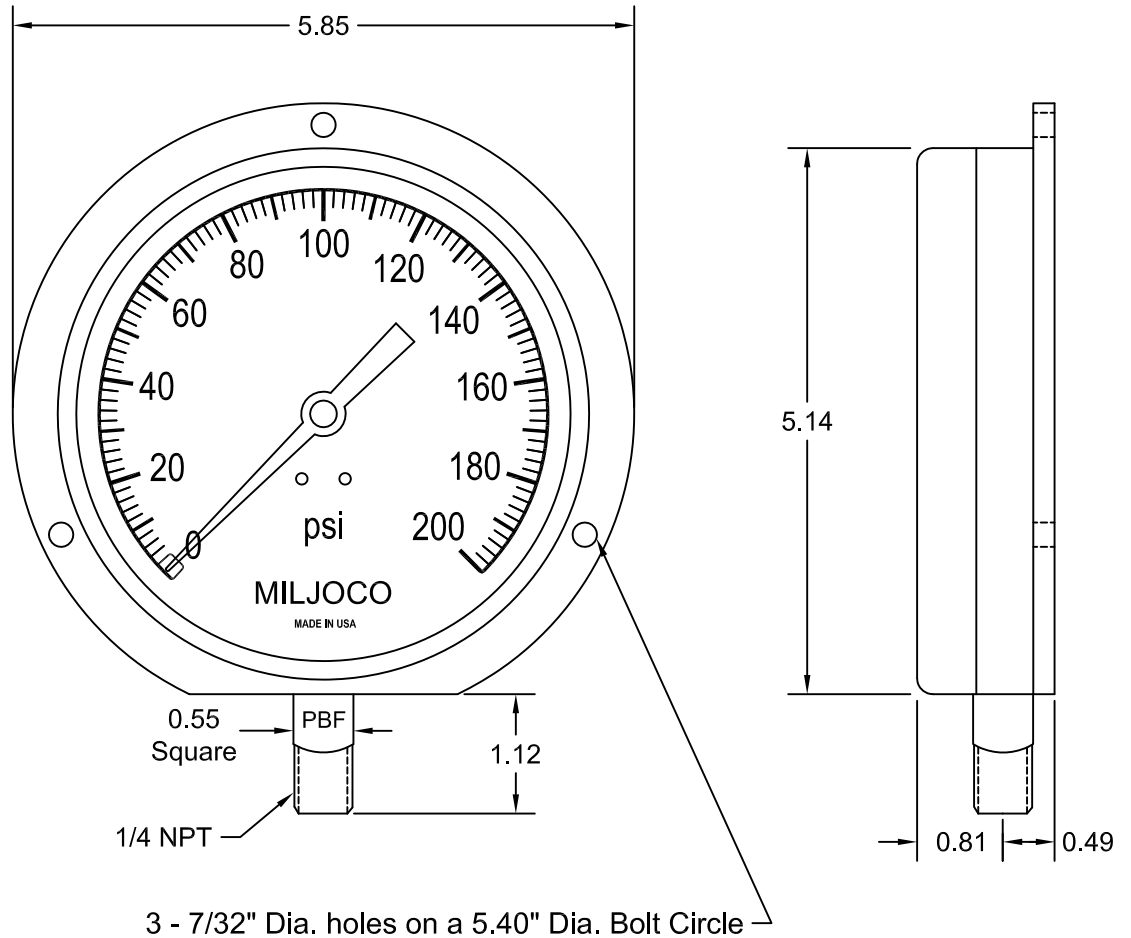
Process Temperature: -40 to 250°F (-40 to 120°C)

Ambient Temperature: -40 to 140°F (-40 to 60°C)

Assembly Origin: **United States of America**

Lead-Free Brass definition: Brass Containing ≤0.25% lead (Pb).

PSI Range Specifications				Dual Scale Codes		
Code	Range	Fig.	Div.	psi/kPa	psi/Bar	psi/ftH2O
001	30"Hg-0psi	10/5	1	001K	001B	001F
002	30"-0-15psi	10/5	2/1	002K	002B	002F
003	30"-0-30psi	10/5	2/1	003K	003B	003F
004	30"-0-60psi	10/10	1/1	004K	004B	004F
005	30"-0-100psi	30/20	5/2	005K	005B	005F
006	30"-0-150psi	30/20	5/2	006K	006B	006F
008	30"-0-300psi	30/50	10/10	008K	008B	008F
02	0-15psi	2	0.1	02K	02B	02F
03	0-30psi	5	1	03K	03B	03F
04	0-60psi	10	1	04K	04B	04F
05	0-100psi	10	1	05K	05B	05F
06	0-160psi	20	2	06K	06B	06F
07	0-200psi	20	2	07K	07B	07F
08	0-300psi	50	5	08K	08B	08F
09	0-400psi	50	5	09K	09B	09F
10	0-600psi	50	10	10K	10B	10F
11	0-1000psi	100	10	11K	11B	11F



Customer: _____

Project: _____

Engineer: _____

Pro or PO#: _____

MILJOCO
 CORPORATION 200 Elizabeth Street, Mt. Clemens, Michigan 48043 USA

SCALE: None	APPROVED BY:	DRAWN BY: HMT
DATE: 3/14/17		REVISED:

4.5" Pressure Gauge with Rear Flange Case - Lead Free Wetted Parts

.XX ± .010	.XXX ± .005	MODEL NUMBER: P4509L-PBF Series	DRAWING NUMBER: 127-507
------------	-------------	---------------------------------	-------------------------