

CONTRACTOR'S GAUGE

±1% Accuracy

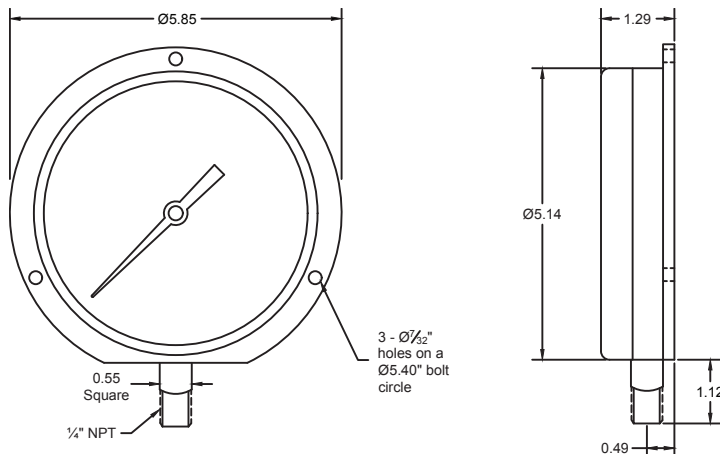
4½" Dial - Rear Flange Case

The Miljoco P4509L Contractor's Gauge is attractively priced and meets or exceeds the popularly accepted standard for the commercial HVAC and building trades. This instrument features a surface mount nylon case, and uses high-temperature solder joints on the tube and socket, allowing it to be used on process fluids up to 200°F. It is well-suited for service on air, water, glycol solutions, and gas. **CAUTION: A coil syphon must be installed on the connection when used on steam applications.**

General Specifications

- CASE:** Black fiber-reinforced nylon with a 3-hole surface-mount rear flange.
- RING:** Stainless steel.
- LENS:** Glass, acrylic optional.
- DIAL:** Aluminum, white finished with black markings.
- POINTER:** Aluminum, black, adjustable.
- MOVEMENT:** Brass with precision-milled teeth.
- TUBE & SOCKET:** Phosphor-bronze tube, brass socket.
- CONNECTION:** 1/4" NPT bottom outlet.
- ACCURACY:** ±1% Full Scale (ASME B40.100 Grade 1 A).
- PROCESS TEMPERATURE:** -40 to 200°F (-40 to 93°C).
- AMBIENT TEMPERATURE:** -40 to 140°F (-40 to 60°C).

Dimensions (in.)



Options

- Acrylic Lens (Model P4508L)
- Blow-Out Disc
- Silicone Dampening
- Lead-Free P4509L-PBF



Standard Ranges

PSI Range Specifications				Dual Scale Codes		
Code	Range	Fig.	Div.	psi/ kPa	psi/ Bar	psi/ FtH ₂ O
001	30" Hg-0	5	0.5	001K	001B	001F
002	30" Hg-0-15 psi	10/5	1/0.5	002K	002B	002F
003	30" Hg-0-30 psi	10/5	1/0.5	003K	003B	003F
004	30" Hg-0-60 psi	10/10	1/1	004K	004B	004F
005	30" Hg-0-100 psi	30/10	2/2	005K	005B	005F
006	30" Hg-0-150 psi	30/30	5/2	006K	006B	006F
007	30" Hg-0-200 psi	30/20	5/2	007K	007B	007F
008	30" Hg-0-300 psi	30/50	10/5	008K	008B	008F
02	0-15 psi	3	0.2	02K	02B	02F
03	0-30 psi	5	0.5	03K	03B	03F
04	0-60 psi	10	1	04K	04B	04F
05	0-100 psi	10	1	05K	05B	05F
06	0-160 psi	20	2	06K	06B	06F
07	0-200 psi	20	2	07K	07B	07F
08	0-300 psi	50	5	08K	08B	08F
09	0-400 psi	50	5	09K	09B	09F
10	0-600 psi	50	10	10K	10B	10F
11	0-1000 psi	100	20	11K	11B	11F

To Order

P 4 5 0 9 L

Model Number

0 3

Range Code

Specify Model Number P4508L for acrylic lens.

200 Elizabeth St. Mt. Clemens, MI 48043

Ph: 888.888.1498 Fax: 586.777.7891 www.miljoco.com

