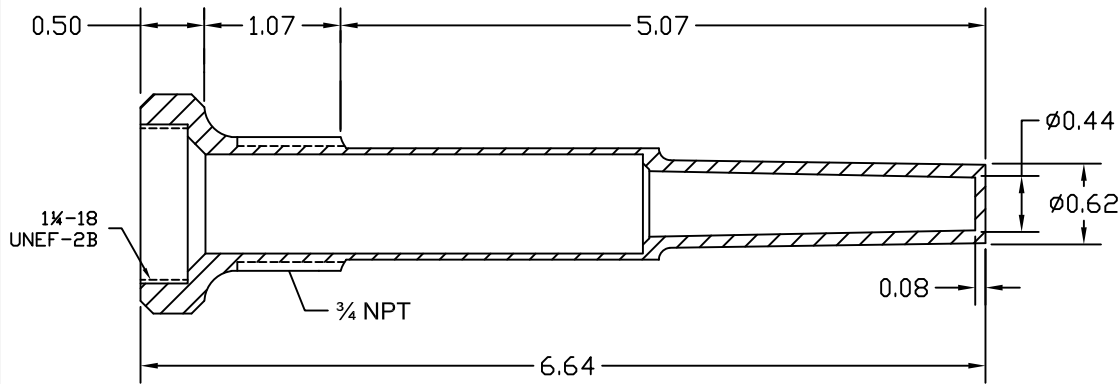
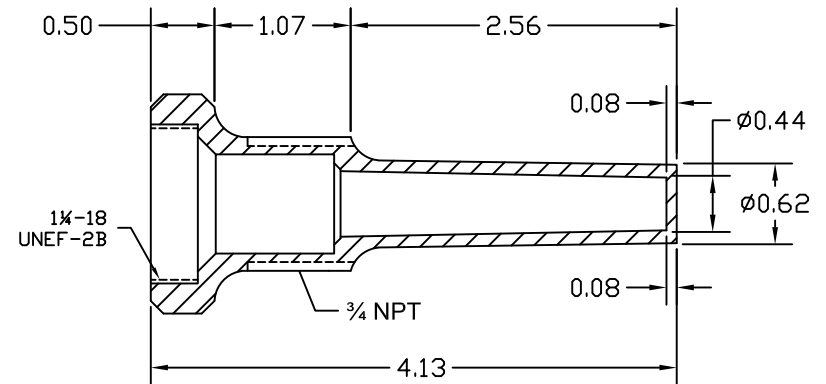


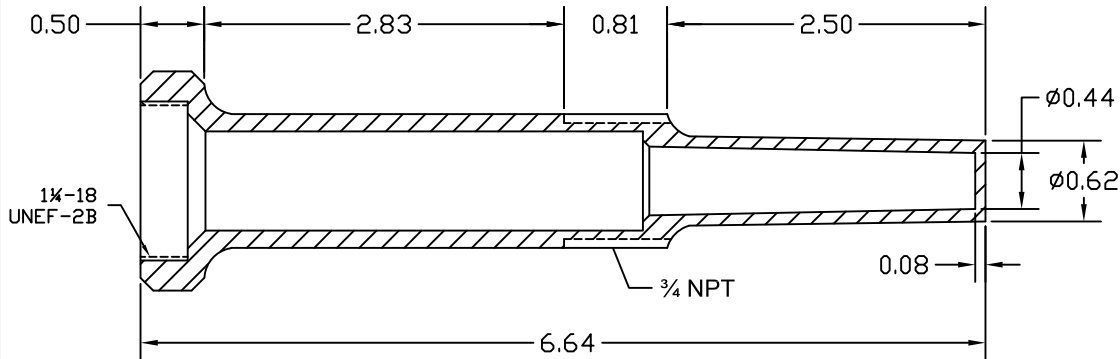
W60 Series



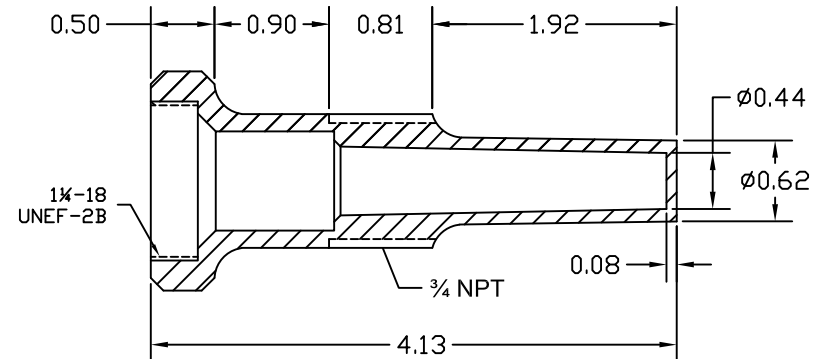
W35 Series



W62 Series



W351 Series



Customer: _____

Engineer: _____

Project: _____

Pro or PO#: _____

Brass	Lead Free Brass	304SS	316SS	Carbon Steel
W35B	W35B-PBF	W35304	W35316	W35CS
W351B	W351B-PBF	W351304	W351316	W351CS
W60B	-	W60304	W60316	W60CS
W62B	-	W62304	W62316	W62CS

MILJOCO

CORPORATION 200 Elizabeth Street, Mt. Clemens, Michigan 48043 USA

SCALE:	None	APPROVED BY:	DRAWN BY: HMT
DATE:	1/19/18		REVISED:

Wells for Industrial Thermometers

PART NUMBER:	W35 & W6 series	DRAWING NUMBER:	127-105
DIMENSIONS: Inches [Metric]		Inches: .xx ± .010 .xxx ± .005 [Metric]: .xx ± .25 .xxx ± .13	

Compliance Standard: ASME B40.200 section B40.9 Thermowells
 "Lead Free" definition: Contains 0.25% lead (Pb) or less.