

# PROCESS GAUGE

±1/2% Accuracy

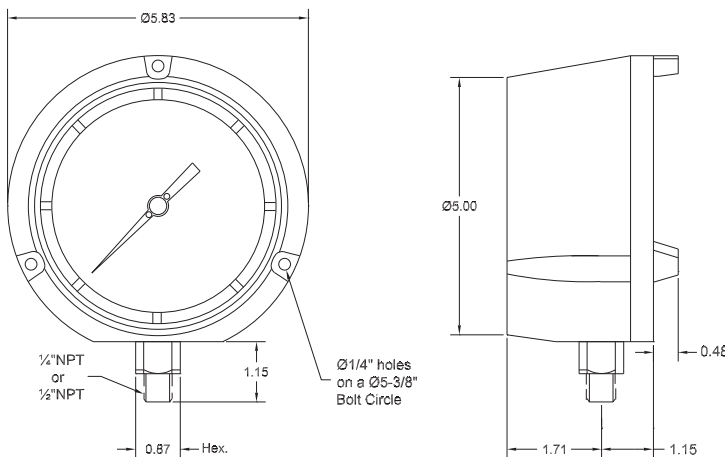
## 4½" Dial - Stainless Steel Wetted Parts - Dry or Liquid Filled

Miljoco Models P4520L & PLF4520L Process Gauges are furnished in a solid-front, turret-style case, molded in hi-impact polypropylene, which is ideally suited for corrosive and difficult environments. The solid-front construction provides added protection for safety considerations and the lens is sealed for weather-proof operation. This gauge can be provided dry or liquid filled. **CAUTION: A coil syphon must be installed on the connection when used on steam applications.**

### General Specifications

**CASE:** Fiberglass-reinforced black polypropylene.  
**RING:** Fiberglass-reinforced black polypropylene.  
**LENS:** Acrylic.  
**DIAL:** Aluminum, white finished with black markings.  
**POINTER:** Aluminum, black, micro-adjustable.  
**MOVEMENT:** Stainless steel, rotary type.  
**TUBE & SOCKET:** Stainless steel.  
**CONNECTION:** 1/4" NPT bottom outlet, 1/2" NPT optional.  
**ACCURACY:** ±1/2% Full Scale (ASME B40.100 Grade 2A).  
**PROCESS TEMPERATURE:** P4520L: -40 to 250°F (-40 to 120°C), PLF4520L: 0 to 140°F (-18 to 60°C).  
**AMBIENT TEMPERATURE:** P4520L: -40 to 140°F (-40 to 60°C), PLF4520L: 0 to 140°F (-18 to 60°C).

### Dimensions (in.)



### Options

- Glycerine Fill (Model PLF4520L)
- Silicone Fill (Model PSF4520L)
- Brass Wetted Parts
- Monel Wetted Parts
- 1/2" NPT Connection
- Safety Glass Lens
- Stainless Steel Tag

Solid Front,  
Blow Out Back



P4520L

### Standard Ranges

Code	Range	Fig.	Div.
001	30" Hg-0	5	0.2
002	30" Hg-0-15 psi	5/3	0.5/0.2
003	30" Hg-0-30 psi	10/5	1/0.5
004	30" Hg-0-60 psi	10/10	1/1
005	30" Hg-0-100 psi	30/10	2/1
006	30" Hg-0-150 psi	30/20	5/2
008	30" Hg-0-300 psi	30/20	5/2
02	0-15 psi	1	0.1
03	0-30 psi	5	0.2
04	0-60 psi	5	0.5
05	0-100 psi	10	1
06	0-160 psi	20	1
07	0-200 psi	20	2
08	0-300 psi	50	2
09	0-400 psi	50	5
10	0-600 psi	50	5
11	0-1000 psi	100	10
19	0-1500 psi	200	10
12	0-2000 psi	200	20
13	0-3000 psi	500	20
14	0-5000 psi	500	50
15	0-10,000 psi	1000	100

### To Order

**P4520L**

Model Number

**08**

Range Code

Specify Model Number PLF4520L for glycerine fill or PSF4520L for silicone fill.

200 Elizabeth St. Mt. Clemens, MI 48043

Ph: 888.888.1498 Fax: 586.777.7891 www.miljoco.com

