

XMAS TREE GAUGE

±1% Accuracy

4" - Stainless Steel Case - Dry or Liquid Filled

The Miljoco Model P4099LY-SS-50 Xmas Tree Gauge is the ideal choice in the petroleum and gas-extraction industries for installation on christmas trees and wellheads. This gauge features a stainless steel case and wetted components and is furnished with a 1/2" NPT lower connection. It is hermetically sealed for outdoor use and can be liquid filled with glycerine or silicone if desired.

General Specifications

CASE: Stainless steel.

RING: Stainless steel, bayonet type with gasket.

LENS: Glass.

DIAL: Aluminum, white finished with black markings.

POINTER: Aluminum, black, micro-adjustable.

MOVEMENT: Stainless steel, rotary type.

TUBE & SOCKET: Stainless steel.

CONNECTION: 1/2" NPT bottom outlet.

ACCURACY: ±1% (ASME B40.1 Grade 1A).

PROCESS TEMPERATURE: P4099LY-SS: -40 to 250°F (-40 to 120°C), PLF4099LY-SS: 0 to 140°F (-18 to 60°C).

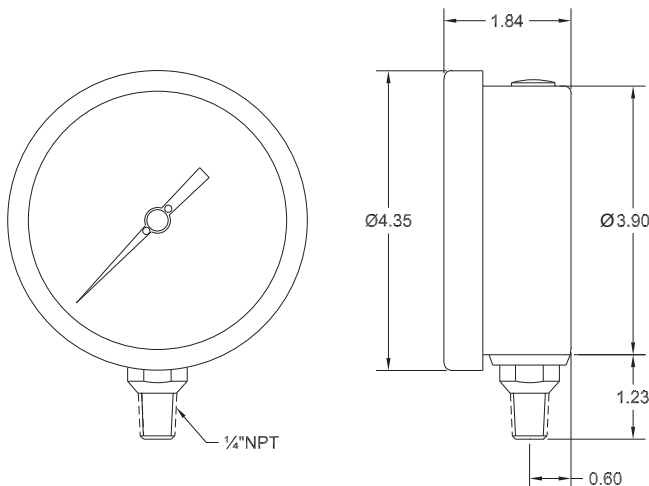
AMBIENT TEMPERATURE: P4099LY-SS: -40 to 140°F (-40 to 60°C), PLF4099LY-SS: 0 to 140°F (-18 to 60°C).

Field
Liquid-Fillable



P4099LY-SS

Dimensions (in.)



Standard Ranges

Code	Range	PSI		kPa	
		Fig.	Div.	Fig.	Div.
11	0-1000 psi / 0-7000 kPa	100	20	1000	100
19	0-1500 psi / 0-10,000 kPa	200	20	2000	200
12	0-2000 psi / 0-14,000 kPa	200	20	2000	200
13	0-3000 psi / 0-20,000 kPa	300	20	5000	200
14	0-5000 psi / 0-35,000 kPa	500	50	5000	500
16	0-10,000 psi / 0-70,000 kPa	1000	100	10,000	1000

To Order

P4099LY 14 SS - 50
 Model Number Range Stainless Steel 1/2" NPT
 Code Code Steel

Specify Model Number PLF4099LY for glycerine fill or PSF4099LY for silicone fill.

200 Elizabeth St. Mt. Clemens, MI 48043

Ph: 888.888.1498 Fax: 586.777.7891 www.miljoco.com

