

DIAL THERMOMETER

Direct Mount

Adjustable Stem Mount - 3½", 4½" Dial Size

Miljoco vapor dial thermometers are manufactured to the highest standards for a wide range of uses and may be fitted into almost any temperature reading application. This series features an adjustable stem mounting bracket which allows the user to adjust the viewing angle of the dial face up or down, and around for easy reading. Vapor instruments have progressive graduations and are best read in the upper two-thirds of the range. Many ranges are available between -40°F and 450°F.

General Specifications

- CASE:** Brightly finished stainless steel.
- RING:** Stainless steel.
- LENS:** See table below.
- DIAL:** Aluminum with white finish and black markings.
- POINTER:** Black, adjustable.
- MOVEMENT:** Brass with precision gearing.
- BOURDON TUBE:** Phosphor bronze.
- ACCURACY:** ±One scale division.
- CONNECTION:** 1/2" NPT brass union hub.
- SENSING BULB:** Nickel-plated copper bulb, Ø 7/16" x 2½".
Longer bulbs available - consult factory.
- AMBIENT TEMPERATURE:** -40 to 140°F (-40 to 60°C).



V4598AC

Models

Model	Dial Size	Case Material	Conn.	Lens Type
V3567AC	3½"	SS	½" NPT	Threaded polycarb.
V4598AC	4½"	SS	½" NPT	Acrylic with SS Ring

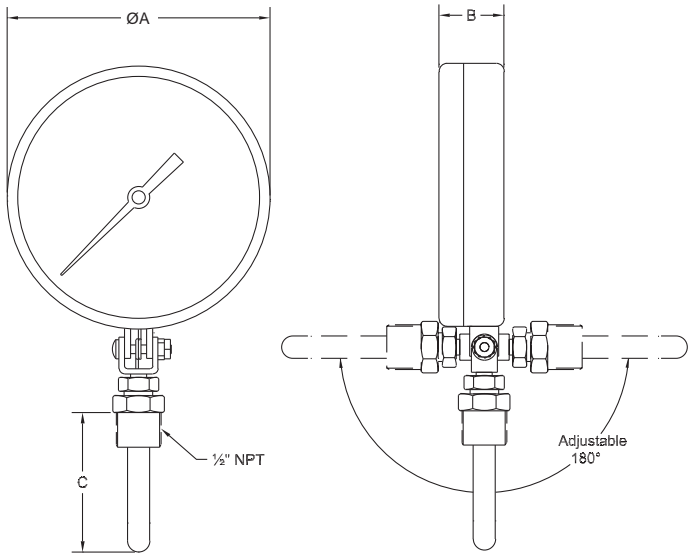
To Order

Select a **Model Number**, then see **Page 64** for temperature range selections.

Options

- Silicone Dampening
- Weephole
- Over Range Protection

Dimensions (in.)



Model	Dial Size	A	B	C*
V3567AC	3½"	3.94	1.09	2.50
V4598AC	4½"	5.14	1.24	2.50

*Standard length, longer bulb lengths may be available, consult factory.

