

DIAL THERMOMETER

Remote Reading

Surface Mount - Rear Flange Case - 4½" Dial Size

Miljoco vapor dial thermometers are manufactured to the highest standards for a wide range of uses and may be fitted into almost any temperature reading application. These instruments are ideal for obtaining readings from remote locations. Being vapor actuated, they are not subject to any ambient temperature variations along the tube system and give excellent readings both above and below ambient. Vapor instruments have progressive graduations and are best read in the upper two-thirds of the range. Many ranges are available between -40°F and 450°F. This series is furnished with a three-hole rear flange for surface mounting.

General Specifications

CASE: Black glass filled nylon.

RING: Stainless steel.

LENS: Glass.

DIAL: Aluminum with white finish and black markings.

POINTER: Black, adjustable.

MOVEMENT: Brass with precision gearing.

BOURDON TUBE: Phosphor bronze.

ACCURACY: ±One scale division.

TUBE SYSTEM:

CAPILLARY TUBING: 60" tin-plated copper (std.).

CONNECTION: Plain.

SENSING BULB: Nickel-plated copper bulb, Ø 7/16".

Other tube systems and capillary lengths available - see page 62.

AMBIENT TEMPERATURE: -40 to 140°F (-40 to 60°C).

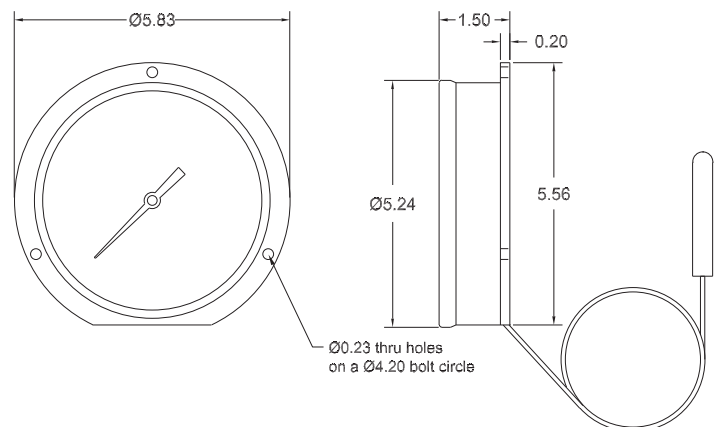


V4509A

Models

Model	Dial Size	Case Material	Outlet	Case Style
V4509A	4½"	Nylon	Adjustable	Rear Flange

Dimensions (in.)



To Order

Select a **Model Number**, then see **Page 64** for temperature range and tube system selections.

Options

- Tubing Strain Relief
- Silicone Dampening
- Over Range Protection
- Weephole

