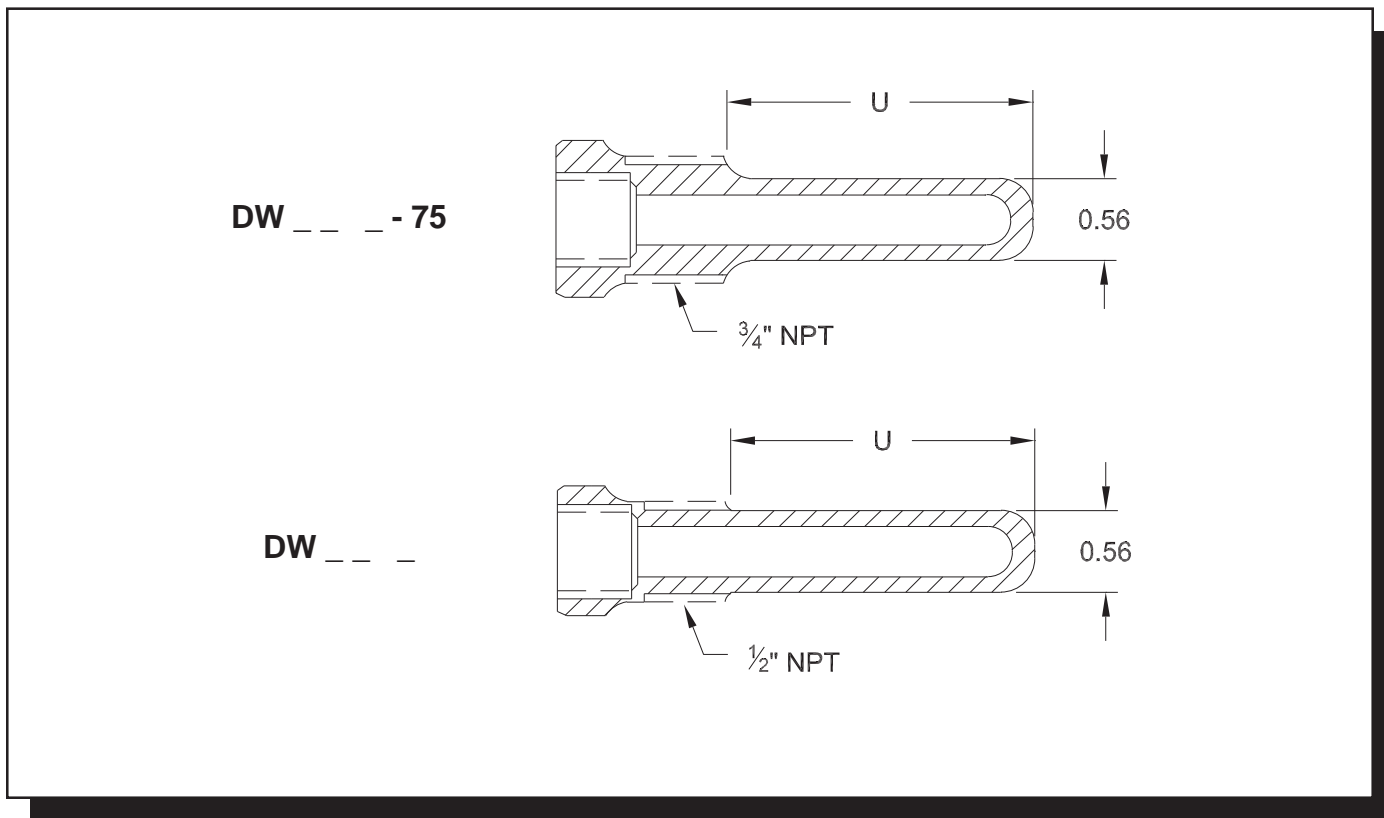


# DIAL THERMOMETER

## Thermowells



These thermowells are designed for use with Miljoco vapor-actuated dial thermometers. They are intended to separate the thermometer from the process or media being measured, which allows for removal of the thermometer and protects of the thermometer stem from corrosive media. They are readily available in brass or 316 stainless steel construction to suit a wide range of applications. Other materials are available on request - consult factory.

### Models & Dimensions (in.)

Process Connection	Immersion Length "U"	Material	
		Brass	316SS
1/2" NPT	2.25"	DW25B	DW25316
3/4" NPT	2.25"	DW25B-75	DW25316-75
1/2" NPT	4.25"	DW40B	DW40316
3/4" NPT	4.25"	DW40B-75	DW40316-75
1/2" NPT	6.25"	DW60B	DW60316
3/4" NPT	6.25"	DW60B-75	DW60316-75

*The thermowell should be primed before thermometer installation with a heat transfer medium such as oil, graphite or paste to provide optimal accuracy and response time.*

### Pressure/Temperature Ratings

Material	Temperature (°F)					
	70°F	200°F	400°F	600°F	800°F	1000°F
Brass	1200 psi	1000 psi	200 psi	-	-	-
316SS	2100 psi	2000 psi	1900 psi	1700 psi	1600 psi	1400 psi

