

SOLAR DIGITAL THERMOMETER

Remote Reading

Flush Mount - U-Clamp Case - 2" Case Size

Miljoco solar-powered thermometers are designed to operate in varying light conditions. The temperature display will indicate using only solar power in light levels greater than 100 lux, but will continue to function below 100 lux with its battery backup system. This system is designed to last 3 to 4 years under normal conditions, after which the display will continue to function above 100 lux. This thermometer is designed for flush panel-mounting and is furnished with a u-clamp for this service.

These instruments are ideal for applications such as refrigeration equipment, chilled systems, NSF® listed equipment, spas and control panels. They will display in either Fahrenheit or Celsius scale, which may be switched from the rear of the case. Sensing leads may be furnished up to 10 feet long.

NSF® Service

Many Miljoco thermometers are listed by NSF® for use in the food service industry. Consult factory for available models and ranges.



CD2066

General Specifications

CASE MATERIAL: 300 Series Stainless Steel

LENS: Threaded acrylic.

DISPLAY: LCD, black characters, 0.375" high with gray background.

UPDATE TIME: 10 seconds.

RESOLUTION: 0.1°F or °C.

ACCURACY: ± 2°F.

CONNECTION: Plain.

SENSOR LEAD: Code 03 - 48" black PVC.

Other lengths available - consult factory.

SENSOR: Nickel plated brass, Ø 0.225".

POWER: Solar, 100 Lux minimum light level.

AMBIENT TEMPERATURE: -10 to 140°F (-40 to 60°C).

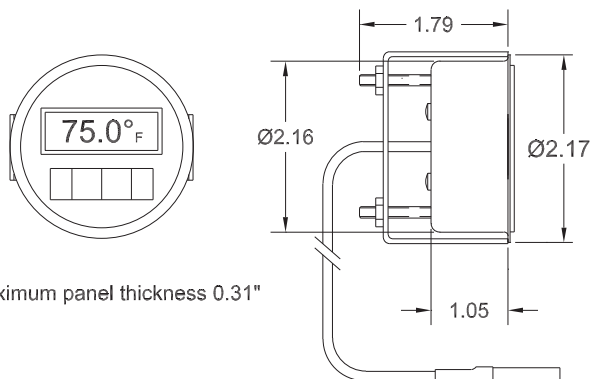
Ranges

Code	Range
84	-58 to 158°F / -50 to 70°C
85	-58 to 302°F / -50 to 150°C

Sensor Lead

Code	Type
03	Black PVC Covered

Dimensions (in.)



*Maximum panel thickness 0.31"

To Order

CD2066	84	03	-	48
Model Number	Range Lead	Sensor Code		Sensor Lead Length (inches)

200 Elizabeth St. Mt. Clemens, MI 48043

Ph: 888.888.1498 Fax: 586.777.7891 www.miljoco.com

