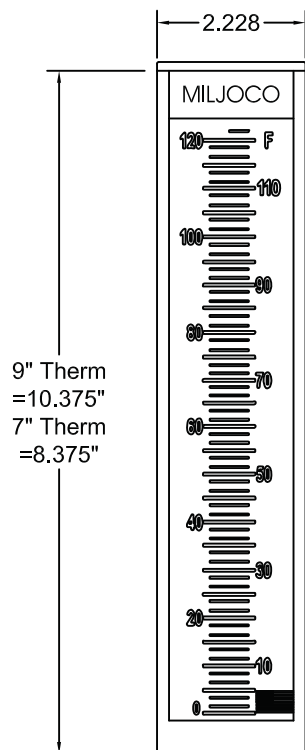
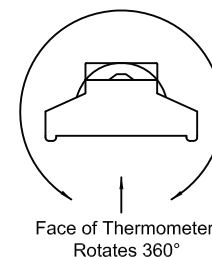
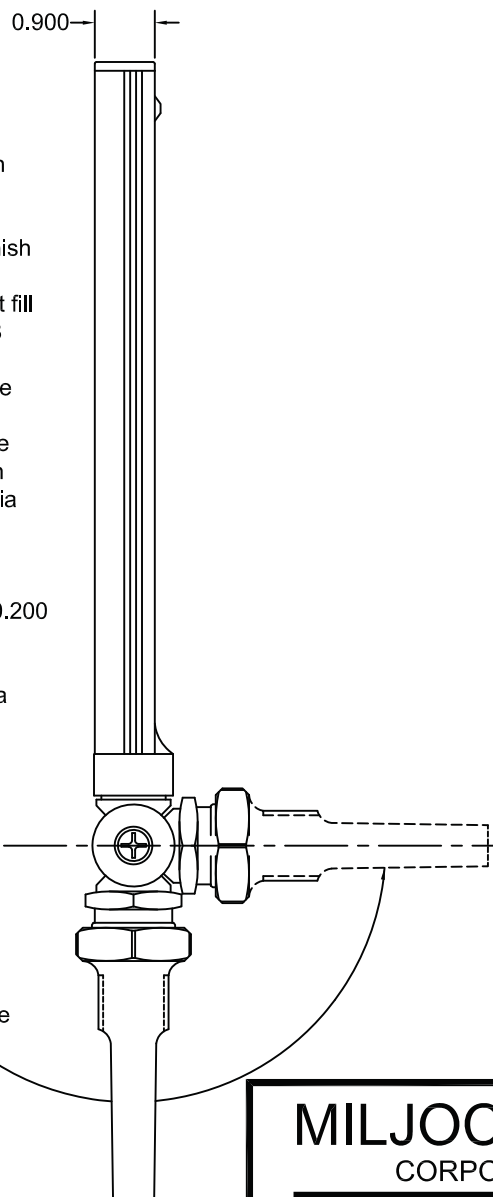


Basic Catalog	Scale Size	Stem Length
SX935	9	3.5
SX960	9	6
SX735	7	3.5
SX760	7	6

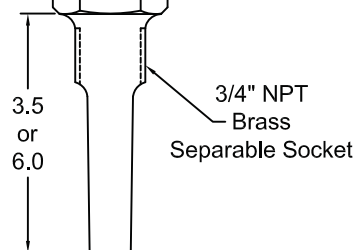


**General Specifications**  
Case & Adjustable Fitting: die cast Aluminum-green powder coated finish  
Lens: Polycarbonate  
Scale: Aluminum-white finish with black markings  
Tube: Non-toxic blue spirit fill  
Connection: brass 1/4"-18 jam nut used to secure to union hub or separable socket  
Stem & Bulb Chamber: die cast Aluminum-filled with temperature transfer media for rapid response  
Accuracy: ± one scale division  
Conforms with ASME B40.200 & ASTM E1  
Assembly Origin: **United States of America**



Code	Range	°F Scale		°C Scale	
		Fig.	Div.	Fig.	Div.
30	-40 to 110°F	10°	2°	See Dual Scale Ranges Below	
35	0 to 120°F	10°	1°		
75	0 to 160°F	10°	2°		
77	30 to 180°F	10°	2°		
50	30 to 240°F	10°	2°		
60	30 to 300°F	10°	2°		
100	50 to 400°F	25°	5°		
97	50 to 550°F	50°	5°		
31	-40 to 110°F / -40 to 40°C	20°	2°	10°	1°
36	0 to 120°F / -10 to 50°C	20°	1°	10°	1°
76	0 to 160°F / -15 to 70°C	10°	2°	5°	1°
88	30 to 180°F / 0 to 80°C	10°	2°	5°	1°
51	30 to 240°F / 0 to 115°C	20°	2°	10°	1°
61	30 to 300°F / 0 to 150°C	20°	2°	10°	1°
101	50 to 400°F / 10 to 205°C	50°	5°	10°	2°
102	50 to 550°F / 10 to 288°C	100°	5°	20°	2°

\*Add Range No. to Cat. No (example SX93530)



Customer: \_\_\_\_\_  
Project: \_\_\_\_\_  
Engineer: \_\_\_\_\_  
Pro or PO#: \_\_\_\_\_

# MILJOCO

CORPORATION 200 Elizabeth Street, Mt. Clemens, Michigan 48043 USA

SCALE: None	APPROVED BY:	DRAWN BY: HMT
DATE: 6/26/02		REVISED: 2/18/05
<b>7" &amp; 9" Industrial Thermometer</b>		
.XX ± .010 .XXX ± .005	MODEL NUMBER: SX9/SX7	DRAWING NUMBER: 127-52