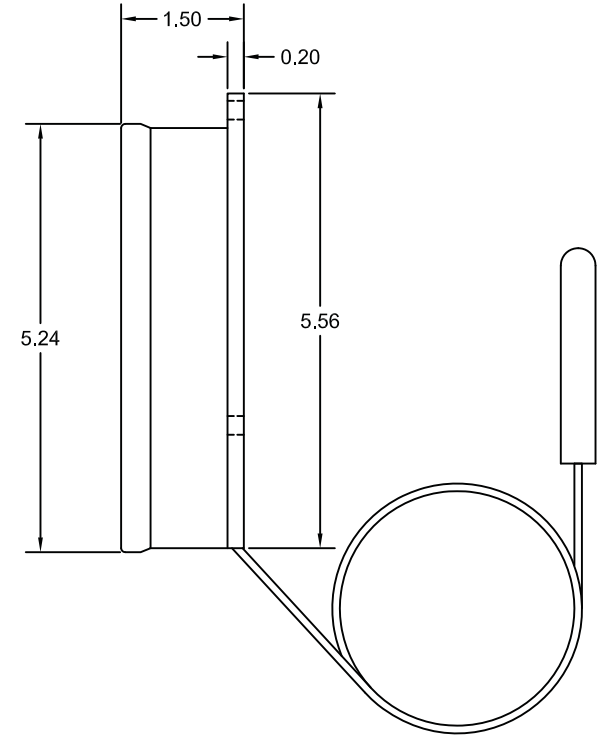
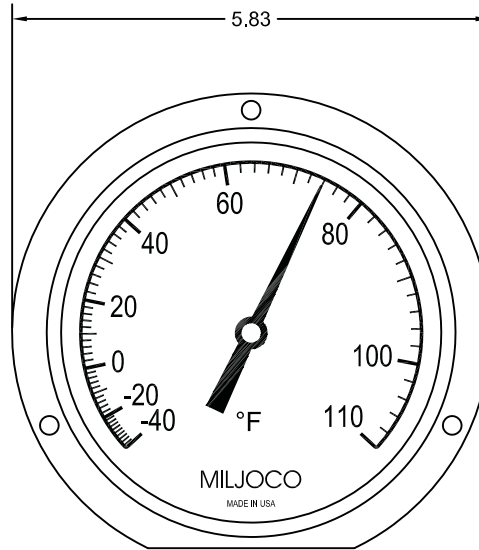


GENERAL SPECIFICATIONS

- Case: Black glass filled nylon
- Ring: Stainless steel
- Lens: Glass
- Dial: Aluminum with white finish and black markings
- Pointer: Adjustable
- Movement: Precision brass with milled teeth
- Bourdon Tube: Phosphor bronze
- Connection: plain (available 1/2"NPT union)
- Accuracy: ±1 scale division
- Bulb: Furnished standard with a Ni plated copper bulb
 7/16" O.D. x 2 1/2" (other bulb lengths available)



Range Code	Temperature Ranges
30	-40 to 110°F
19	0 to 100°F
49	0 to 150°F
72	0 to 180°F
50	30 to 240°F
60	30 to 300°F

Note: Fahrenheit & Celsius ranges available
 Other ranges available

Customer: _____

Project: _____

Engineer: _____

Pro or PO#: _____

MILJOCO			
CORPORATION 200 Elizabeth Street, Mt. Clemens, Michigan 48043 USA			
SCALE:	None	APPROVED BY:	DRAWN BY: HMT
DATE:	5/10/05		REVISED:
4.5" Thermometer Rear Flange			
.XX ± .010	.XXX ± .005	MODEL NUMBER: V4509A	DRAWING NUMBER: 127-109