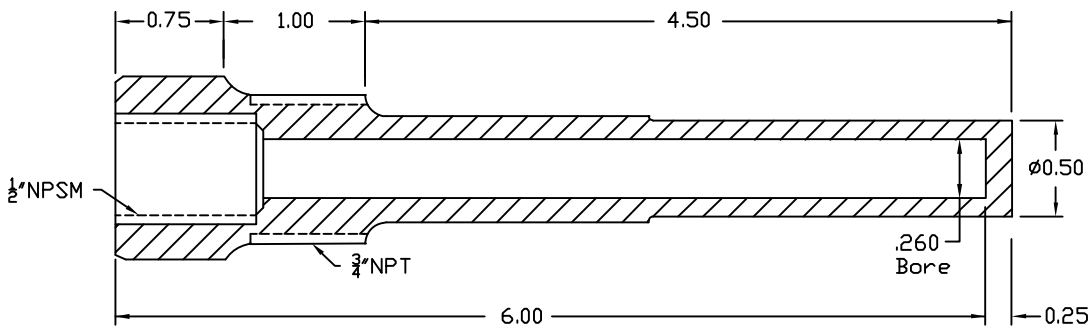
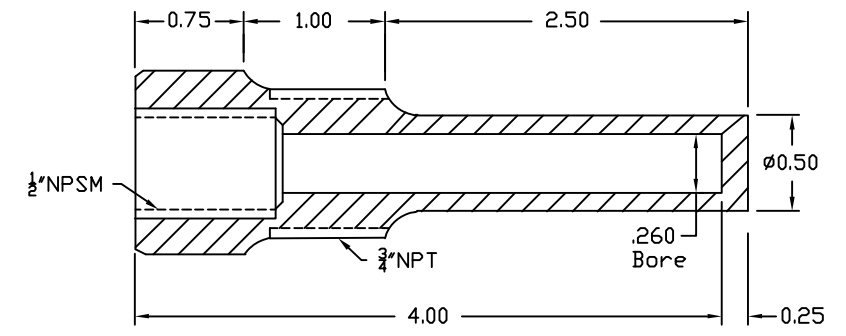


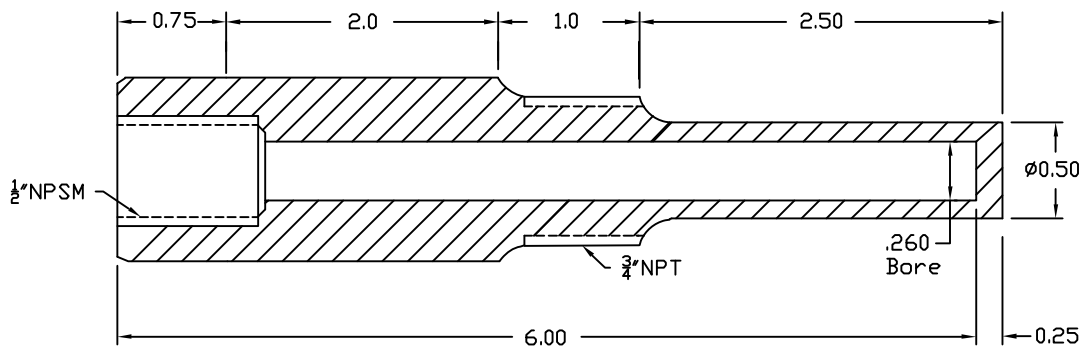
BW06 Series



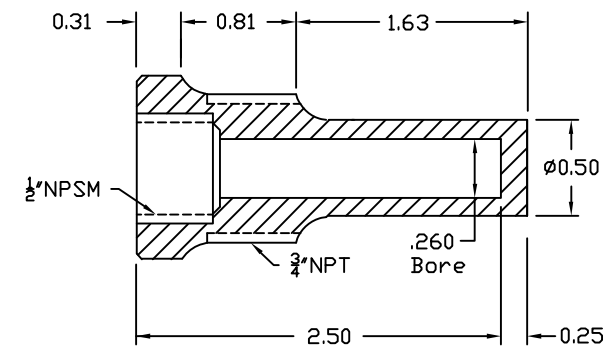
BW04 Series



BW62 Series



BW02 Series



Customer: _____

Engineer: _____

Project: _____

Pro or PO#: _____

Brass	304SS	316SS
BW02B	BW02304	BW02316
BW04B	BW04304	BW04316
BW06B	BW06304	BW06316
BW62B	BW62304	BW62316

MILJOCO

CORPORATION 200 Elizabeth Street, Mt. Clemens, Michigan 48043 USA

SCALE: None	APPROVED BY:	DRAWN BY: HMT
DATE: 9/2/15		REVISED:

Wells for Bi-metal Thermometers

PART NUMBER: BW series	DRAWING NUMBER: 127-104
DIMENSIONS: Inches [Metric] Inches: .xx ± .010 .xxx ± .005 [Metric]: .xx ± .25 .xxx ± .13	

Compliance Standard:
 ASME B40.200 section B40.9 Thermowells