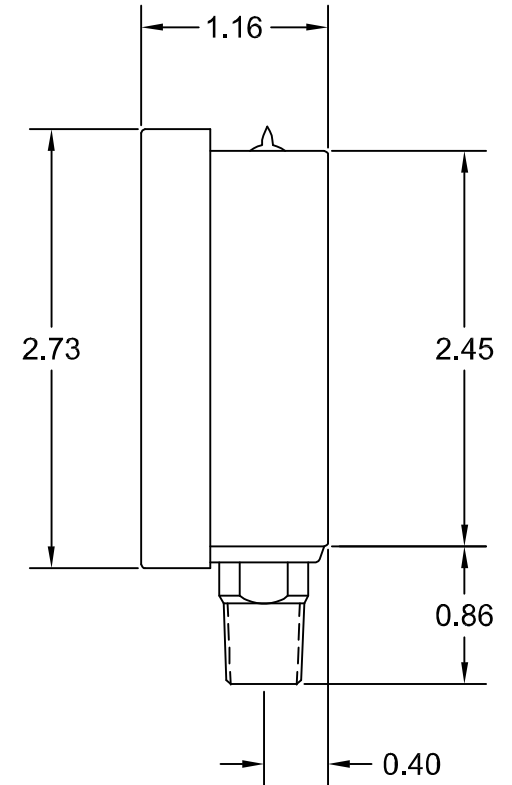
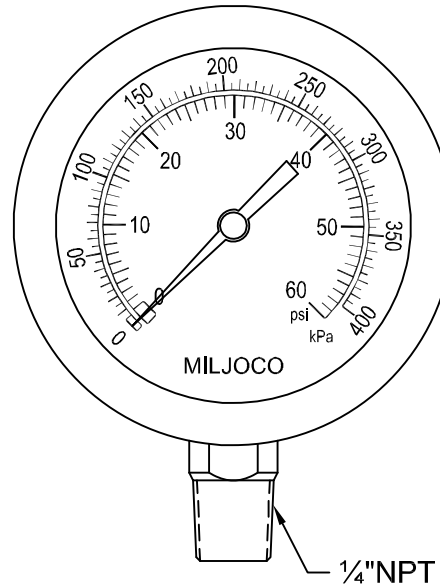


General Specifications

Case: 300 series stainless steel
 Ring: 300 series stainless steel, bayonet type
 Lens: Polycarbonate
 Dial: Aluminum, white finished with black markings
 Pointer: Aluminum, black, non-adjustable
 Movement: Stainless steel
 Tube & Socket: 316 stainless steel
 Connection: 1/4"NPT bottom or back outlet
 Accuracy: ±1.6% full scale (exceeds ASME B40.1 Grade B)
 Process Temp:
 P2598LZSS Dry, -40 to 250°F
 PLF2598LZSS Glycerine Filled, 0 to 140°F
 PSF2598LZSS Silicone Filled, -40 to 140°F

STANDARD RANGE		GRADUATIONS	
Code	Range	Fig.	Div.
001	30"hg-0psi	5	1
002	30"-0-15psi	10/5	2/1
003	30"-0-30psi	10/5	2/1
004	30"-0-60psi	10/10	1/1
005	30"-0-100psi	30/20	5/2
006	30"-0-150psi	20/20	5/5
008	30"-0-300psi	30/50	5/2
02	0-15psi	2	0.5
03	0-30psi	5	1
04	0-60psi	10	1
05	0-100psi	10	1
06	0-160psi	10	1
07	0-200psi	20	2
08	0-300psi	50	5
10	0-600psi	50	10
11	0-1,000psi	100	10
19	0-1,500psi	200	10
12	0-2,000psi	200	10
13	0-3,000psi	500	10
14	0-5,000psi	500	50
16	0-10,000psi	1000	100
17	0-15,000psi	2000	100
18	0-20,000psi	2000	200



Customer: _____

Project: _____

Engineer: _____

Pro or PO#: _____

MILJOCO			
CORPORATION 200 Elizabeth Street, Mt. Clemens, Michigan 48043 USA			
SCALE:	None	APPROVED BY:	DRAWN BY: HMT
DATE:	7/28/14		REVISED:
2.5" Industrial Pressure Gauge			
.XX ± .010	.XXX ± .005	MODEL NUMBER: P2598LZ-SS	DRAWING NUMBER: 127-111.1