

General Specifications

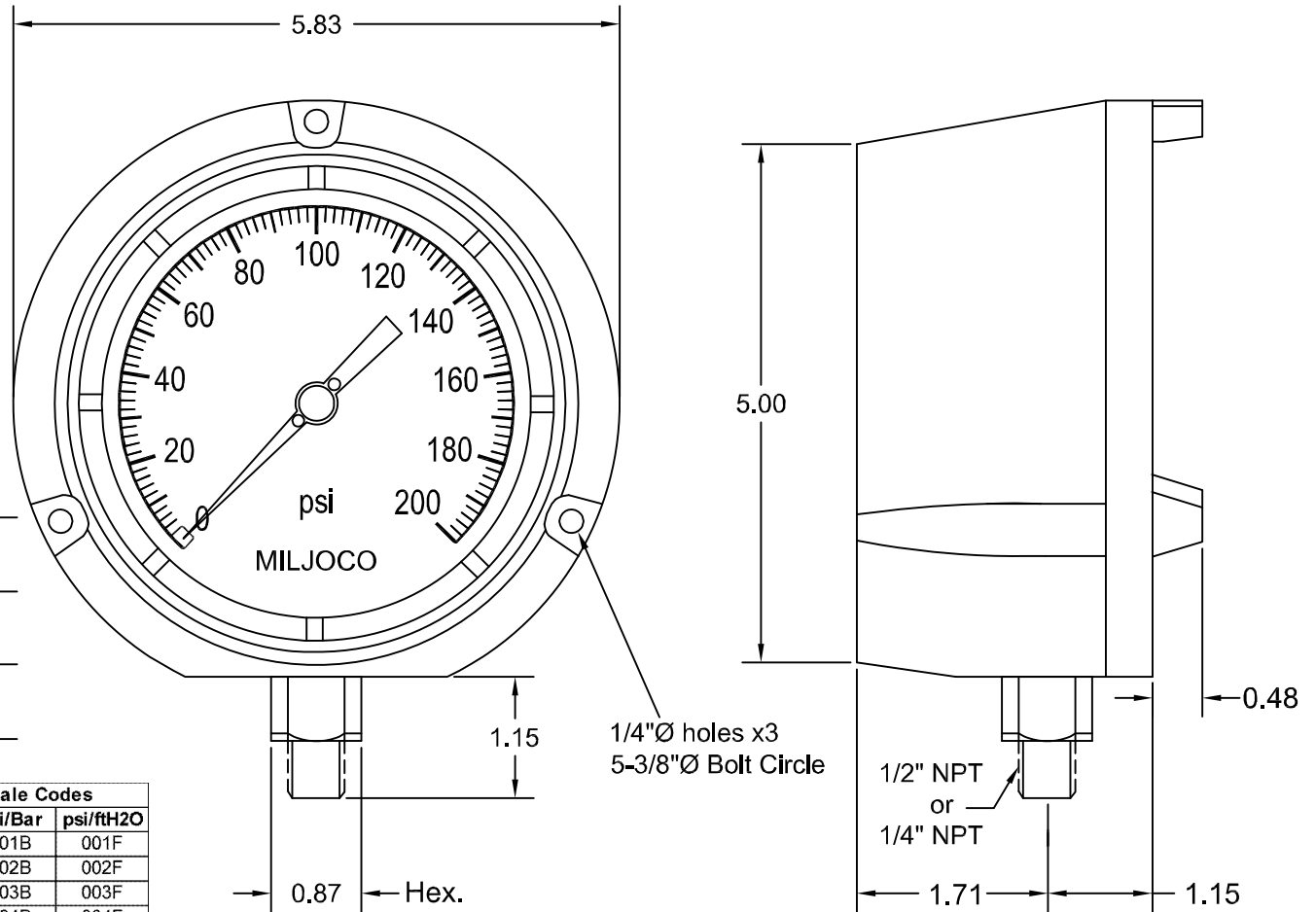
Case: Fiberglass-reinforced black polypropylene
 Ring: Fiberglass-reinforced black polypropylene
 Lens: Acrylic
 Dial: Aluminum, white finished with black markings
 Pointer: Aluminum, black, micro-adjustable
 Movement: Stainless steel, rotary type
 Tube & Socket: Stainless steel
 Connection: 1/4"NPT or 1/2"NPT Lower mount
 Accuracy: ±0.5% full scale (ASME B40.100 Grade 2A)
 Process Temp:
 P4520LG Dry, -40 to 250°F
 PLF4520LG Glycerine Filled, 0 to 140°F
 PSF4520LG Silicone Filled, -40 to 140°F
 Solid-front, blow out back, turret-style case with
 molded in hi-impact polypropylene.

Customer: _____

Project: _____

Engineer: _____

Pro or PO#: _____



PSI Range Specifications				Dual Scale Codes		
Code	Range	Fig.	Div.	psi/kPa	psi/Bar	psi/ftH2O
001	30"Hg-0psi	10/5	1	001K	001B	001F
002	30"-0-15psi	10/5	2/1	002K	002B	002F
003	30"-0-30psi	10/5	2/1	003K	003B	003F
004	30"-0-60psi	10/10	1/1	004K	004B	004F
005	30"-0-100psi	30/20	5/2	005K	005B	005F
006	30"-0-150psi	30/20	5/2	006K	006B	006F
008	30"-0-300psi	30/50	10/10	008K	008B	008F
02	0-15psi	2	0.1	02K	02B	02F
03	0-30psi	5	1	03K	03B	03F
04	0-60psi	10	1	04K	04B	04F
05	0-100psi	10	1	05K	05B	05F
06	0-160psi	20	2	06K	06B	06F
07	0-200psi	20	2	07K	07B	07F
08	0-300psi	50	5	08K	08B	08F
09	0-400psi	50	5	09K	09B	09F
10	0-600psi	50	10	10K	10B	10F
11	0-1000psi	100	10	11K	11B	11F
19	0-1500psi	200	10	19K	19B	19F
12	0-2000psi	200	20	12K	12B	12F
13	0-3000psi	500	20	13K	13B	13F
14	0-5000psi	500	50	14K	14B	14F
16	0-10,000psi	1000	100	16K	16B	16F
17	0-15,000psi	1500	150	17K	17B	17F
18	0-20,000psi	2000	200	18K	18B	18F

MILJOCO
 CORPORATION 200 Elizabeth Street, Mt. Clemens, Michigan 48043 USA

SCALE: None	APPROVED BY:	DRAWN BY: HMT
DATE: 7/28/14		REVISED:

4.5" Process Gauge

.XX ± .010	.XXX ± .005	MODEL NUMBER: P4520L/PLF4520L/PSF4520L	DRAWING NUMBER: 127-82
------------	-------------	--	------------------------