

Made in USA

General Specification

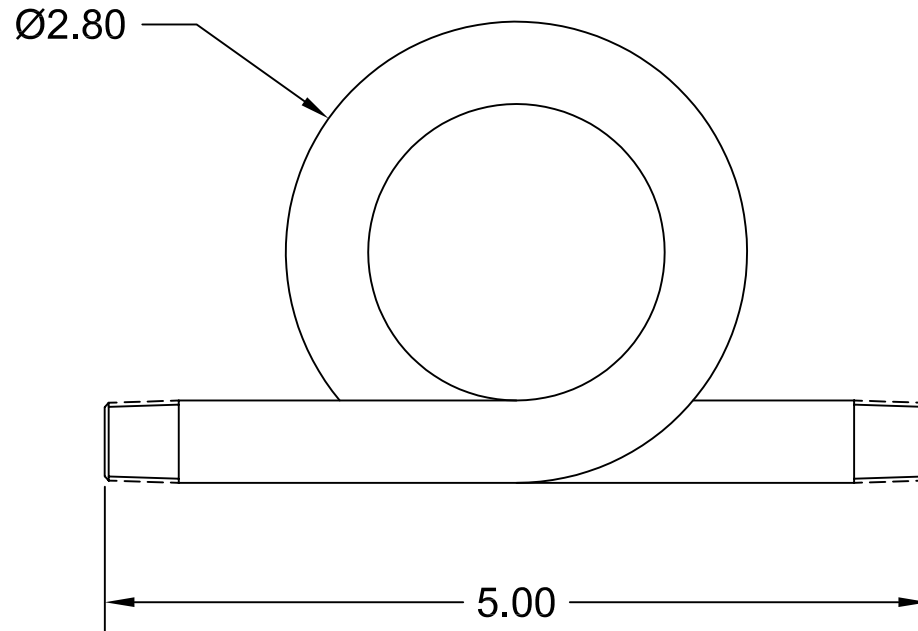
Body: Carbon Steel Sch40

(STD) SA-53 CW

Connection: 1/4"MNPTx1/4"MNPT

Max Press.: 600psi

Max Temp.: 750°F



Customer: \_\_\_\_\_

Project: \_\_\_\_\_

Engineer: \_\_\_\_\_

Pro or PO#: \_\_\_\_\_

**MILJOCO**

CORPORATION 200 Elizabeth Street, Mt. Clemens, Michigan 48043 USA

SCALE: None	APPROVED BY:	DRAWN BY: HMT
DATE: 7/23/03		REVISED:

**1/4" NPT Steel Coil Syphon**

.XX ± .010	.XXX ± .005	MODEL NUMBER: 1300-25-CS	DRAWING NUMBER: 127-76
------------	-------------	--------------------------	------------------------