

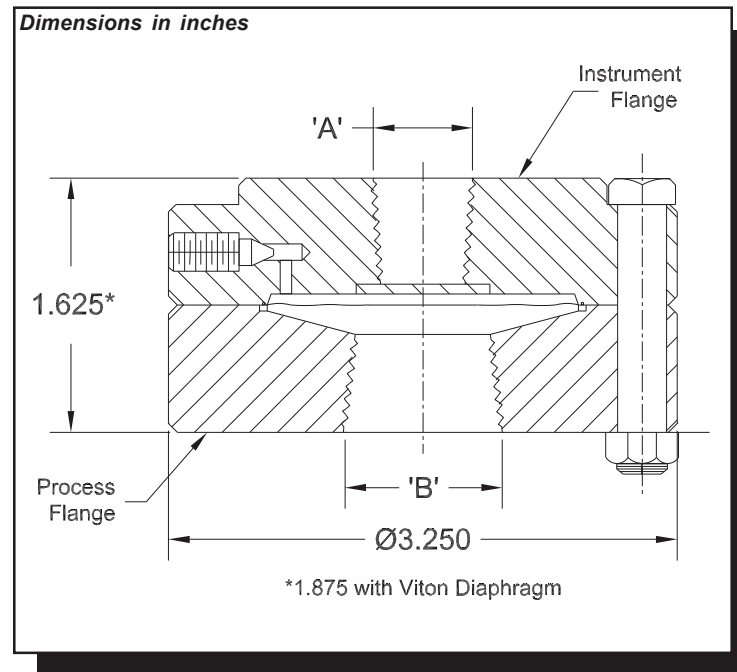
# DIAPHRAGM PROTECTION SEALS

## Pipe Mounted Seals

Miljoco pipe mounted diaphragm protection seals are ideal for use when the process media of a system will corrode, clog, or otherwise damage a pressure gauge or inhibit its operation. A cleanout design is available which allows the seal to be disassembled to remove sludge or hardened build-up. A flushing connection is also available so that the system can be piped for continuous flow to prevent media from hardening or caking.

### Models

Model	Connection	Flushing Connection	Design
DS100	Threaded	None	Non-Cleanout
DS110	Threaded	1/4" NPT	Non-Cleanout
DS101	Threaded	None	Cleanout
DS111	Threaded	1/4" NPT	Cleanout



### Connections & Materials

Connections			Diaphragm Materials		Process Flange Materials	
Code	Instrument Connection (A)	Process Connection (B)	Code	Material	Code	Material
01	1/4" NPT	1/4" NPT	F	304 Stainless Steel	C	Steel
02	1/2" NPT	1/4" NPT	G	Hastelloy B	F	304 Stainless Steel
03	1/4" NPT	1/2" NPT	H	Hastelloy C	H	Hastelloy C
04	1/2" NPT	1/2" NPT	M	Monel	M	Monel
05	1/4" NPT	3/4" NPT	S	316 Stainless Steel	S	316 Stainless Steel
06	1/2" NPT	3/4" NPT	T	Teflon	T	Teflon
07	1/4" NPT	1" NPT	U	Tantalum	Z	PVC
08	1/2" NPT	1" NPT	V	Viton	D	Carpenter 20
Instrument Flange is Carbon Steel						
<i>Other styles, sizes, and materials may be available - consult factory.</i>						

### To Order

**DS101**

Model Number

**01**

Connection Code

**S**

Diaphragm  
Material Code

**S**

Process Flange  
Material Code

200 Elizabeth St. Mt. Clemens, MI 48043

Ph: 888.888.1498 Fax: 586.777.7891 www.miljoco.com

