

LOW PRESSURE GAUGE

±1.5% Accuracy

2½" Diaphragm Gauge

The Miljoco low pressure diaphragm gauge offers the pinnacle in both performance and accuracy for pressure and vacuum applications up to and including 10 psi. Such uses include gas-draft indication, air flow & filtration, leak detection, etc. The LP2507/LP2507L is constructed from a single beryllium-copper diaphragm affixed to a precision-machined brass plate. This advanced design, coupled with a high-precision, milled-teeth brass movement and nickel-silver pinion and bearing surface, provides the user with a low pressure instrument that is without equal.

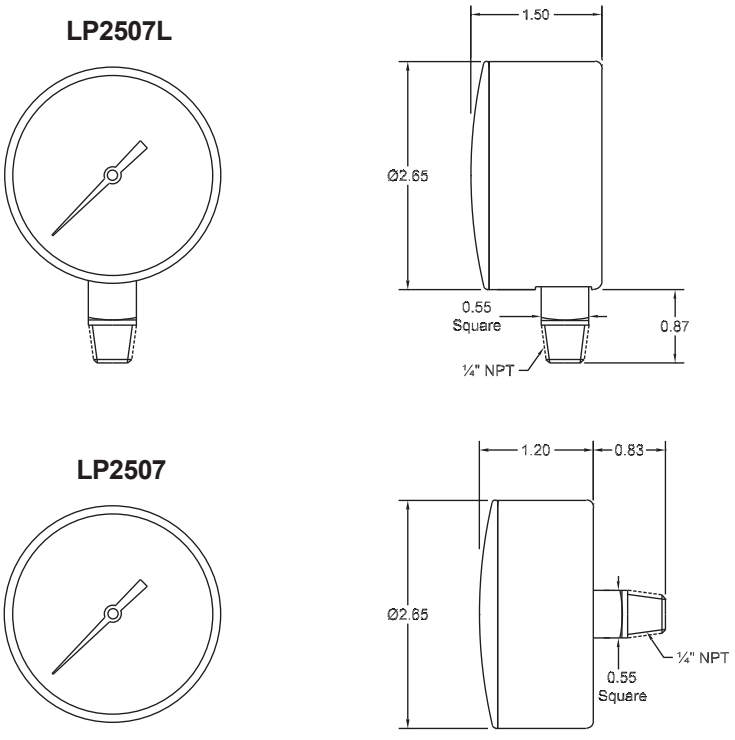
General Specifications

- CASE:** Drawn steel, black finished.
- LENS:** Polycarbonate, quarter-turn.
- DIAL:** Aluminum, white finished with black markings.
- POINTER:** Black non-adjustable.
- MOVEMENT:** Brass with precision-milled teeth.
- DIAPHRAGM:** Beryllium copper.
- SOCKET:** Brass.
- CONNECTION:** See table.
- RESTRICTOR:** 0.013" restrictor on ranges over 10" H₂O.
- ACCURACY:** ±1.5% Full Scale (exceeds ASME B40.100 Grade B). Ranges below 30" H₂O are 3-1-3%.
- PROCESS TEMPERATURE:** -40 to 160°F (-40 to 70°C).
- AMBIENT TEMPERATURE:** -40 to 140°F (-40 to 60°C).



LP2507L

Dimensions (in.)



Models

Model	Dial Size	Outlet	Conn.
LP2507L	2½"	Bottom	1/4" NPT
LP2507	2½"	Back	1/4" NPT

Standard Ranges

Range	Fig.	Div.	In H2O	Oz/In2
15-0 Vac.	3	0.5	0210	0217
30-0 Vac.	5	1	0220	xxx
60-0 Vac.	10	2	0240	0247
100-0 Vac.	20	2	0250	0257
160-0 Vac.	40	5	0260	0267
0-10	1	0.2	200	207
0-15	3	0.5	210	217
0-30	5	1	220	xxx
0-35	5	1	xxx	237
0-35" H2O/0-20 oz/in2	5/1	4/0.5	232	
0-60	10	2	240	247
0-100	20	2	250	257
0-160	40	5	260	267
0-200	40	5	270	xxx
0-3 psi	0.5	0.1	290	
0-5 psi	1	0.1	300	
0-10 psi	2	0.2	310	
30-0-30	10	1	420	

Many other custom ranges available - consult factory.

To Order

LP2507L **232**
 Model Number Range Code

