

# UTILITY GAUGE

±3-2-3% Accuracy

## 3 1/2", 2 1/2", 2", & 1 1/2" - Brass Wetted Parts

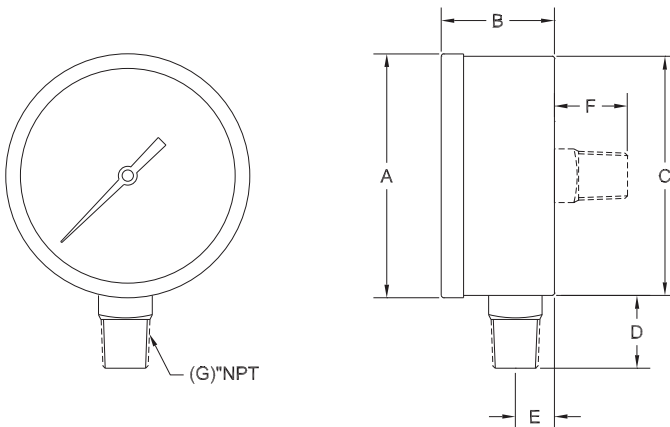
This instrument provides value where economy is required and is ideal for general service on air, water, gases, and other light duty process fluids suitable for brass process connections. It features a steel case and is available in dial sizes from 1 1/2" to 3 1/2" covering a broad spectrum of pressure ranges. **CAUTION: A coil syphon must be installed on the connection when used on steam applications.**

### General Specifications

- CASE:** Drawn steel, black finished.
- RING:** Drawn steel, black finished.
- LENS:** Acrylic.
- DIAL:** Aluminum, white finished with black markings.
- POINTER:** Black, non-adjustable.
- MOVEMENT:** Brass with precision-milled teeth.
- TUBE & SOCKET:** Brass.
- CONNECTION:** See table below.
- ACCURACY:** ±3-2-3% (ASME B40.100 Grade B).
- PROCESS TEMPERATURE:** -40 to 150°F (-40 to 65°C).
- AMBIENT TEMPERATURE:** -40 to 140°F (-40 to 60°C).



### Models & Dimensions (in.)



Model	Dial Size	Outlet	Conn. "G"	A	B	C	D	E	F
P1508L	1 1/2"	Bottom	1/8" NPT	1.65	1.00	1.61	0.63	0.27	0.50
P1508	1 1/2"	Back	1/8" NPT	1.65	1.00	1.61	0.63	0.27	0.50
P2008L	2"	Bottom	1/4" NPT	2.05	1.12	2.00	0.83	0.36	0.70
P2008	2"	Back	1/4" NPT	2.05	1.12	2.00	0.83	0.36	0.70
P2508L	2 1/2"	Bottom	1/4" NPT	2.48	1.15	2.44	0.73	0.36	0.72
P2508	2 1/2"	Back	1/4" NPT	2.48	1.15	2.44	0.73	0.36	0.72
P3508L	3 1/2"	Bottom	1/4" NPT	3.70	1.24	3.65	0.93	0.36	---

### Standard Ranges

Code	Range	psi		bar	
		Fig.	Div.	Fig.	Div.
001	30" Hg-0 & bar	5	1	0.2	0.02
002	30" Hg-0-15 psi & bar	5	0.5	0.5	0.05
003	30" Hg-0-30 psi & bar	10	1	0.5	0.1
004	30" Hg-0-60 psi & bar	10	2	1	0.1
005	30" Hg-0-100 psi & bar	20	2	1	0.2
006	30" Hg-0-150 psi & bar	25	5	2	0.2
008	30" Hg-0-300 psi & bar	50	10	20	0.5
02	0-15 psi & bar	2.5	0.5	0.2	0.02
03	0-30 psi & bar	5	1	0.5	0.05
04	0-60 psi & bar	10	2	1	0.1
05	0-100 psi & bar	20	2	1	0.2
06	0-160 psi & bar	40	5	2	0.2
07	0-200 psi & bar	50	5	2	0.5
08	0-300 psi & bar	50	10	5	0.5
09	0-400 psi & bar	100	10	4	1
10	0-600 psi & bar	100	20	10	1
11	0-1000 psi & bar	200	20	10	2
19	0-1500 psi & bar	300	20	20	5
12	0-2000 psi & bar	500	50	20	5
13	0-3000 psi & bar	500	100	50	5
14	0-5000 psi & bar	1000	100	50	10

### To Order

**P 3 5 0 8 L**

Model Number

**0 7**

Range Code

### Options

- Lead-Free PBF Series

200 Elizabeth St. Mt. Clemens, MI 48043

Ph: 888.888.1498 Fax: 586.777.7891 www.miljoco.com

