

LIQUID FILLED GAUGE

±3-2-3% Accuracy

2½" Dial - Brass Wetted Parts

The Miljoco Models PLF2598L and PLF2598 are rugged & durable and suited for a wide variety of commercial and general service applications. The stainless steel case is filled with glycerine to protect the internals against vibration and pulsation. This unit is completely weather-proof and excellent for pumps, air compressors, irrigation systems, and other installations suitable for brass process connections. **CAUTION: A coil syphon must be installed on the connection when used on steam applications.**

General Specifications

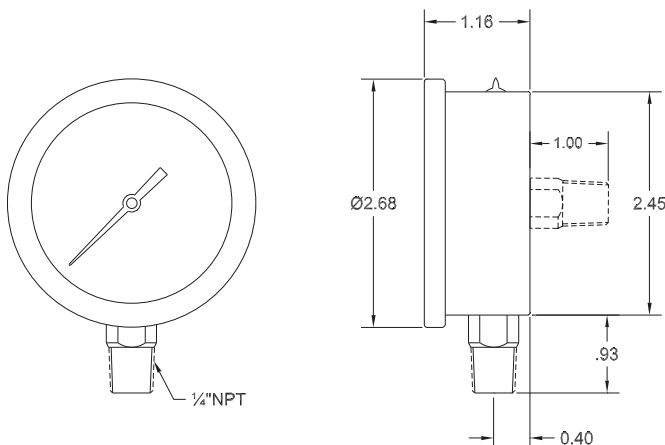
CASE: Stainless steel.
RING: Crimped stainless steel.
LENS: Acrylic.
DIAL: Aluminum, white finished with black markings.
POINTER: Aluminum, black, non-adjustable.
MOVEMENT: Brass with precision-milled teeth.
TUBE & SOCKET: Brass.
CONNECTION: See table below.
ACCURACY: ±3-2-3% (ASME B40.100 Grade B).
PROCESS TEMPERATURE: 0 to 140°F (-18 to 60°C).
AMBIENT TEMPERATURE: 0 to 140°F (-18 to 60°C).

Models

Model	Dial Size	Outlet	Conn.
PLF2598L	2½"	Bottom	1/4" NPT
PLF2598	2½"	Back	1/4" NPT

Other case styles may be available - consult factory.

Dimensions (in.)



Options

- Lead-Free PLF2598L-PBF



PLF2598L

Standard Ranges

Code	Range	psi		bar	
		Fig.	Div.	Fig.	Div.
001	30" Hg-0 & bar	5	1	0.2	0.02
002	30" Hg-0-15 psi & bar	5	0.5	0.5	0.05
003	30" Hg-0-30 psi & bar	10	1	0.5	0.1
004	30" Hg-0-60 psi & bar	10	2	1	0.1
005	30" Hg-0-100 psi & bar	20	2	1	0.2
006	30" Hg-0-150 psi & bar	25	5	2	0.2
008	30" Hg-0-300 psi & bar	50	10	20	0.5
02	0-15 psi & bar	3	0.5	0.2	0.05
03	0-30 psi & bar	5	1	0.5	0.1
04	0-60 psi & bar	10	2	1	0.2
05	0-100 psi & bar	20	2	1	0.2
06	0-160 psi & bar	40	5	2	0.5
07	0-200 psi & bar	50	5	2	0.5
08	0-300 psi & bar	50	10	5	1
09	0-400 psi & bar	100	10	5	1
10	0-600 psi & bar	100	20	10	2
11	0-1000 psi & bar	200	20	10	2
19	0-1500 psi & bar	300	50	20	5
12	0-2000 psi & bar	500	50	20	5
13	0-3000 psi & bar	500	100	50	10
14	0-5000 psi & bar	1000	200	50	10

To Order

PLF2598L

Model Number

04

Range Code

200 Elizabeth St. Mt. Clemens, MI 48043

Ph: 888.888.1498 Fax: 586.777.7891 www.miljoco.com

