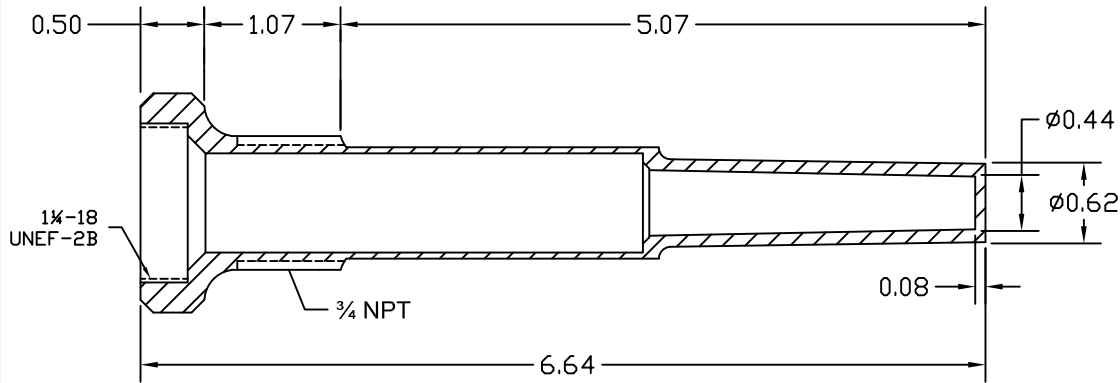
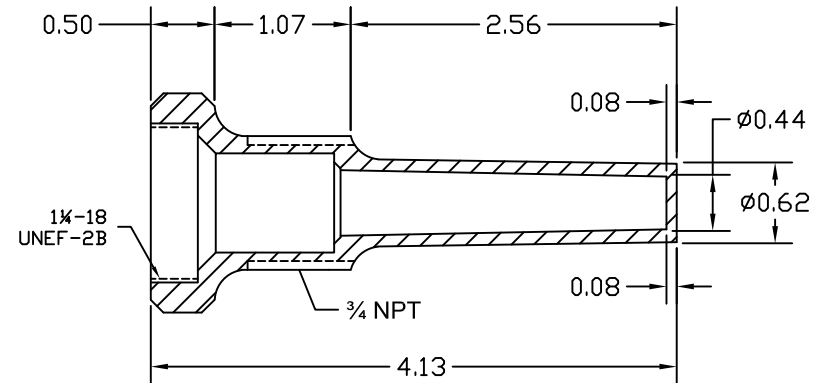


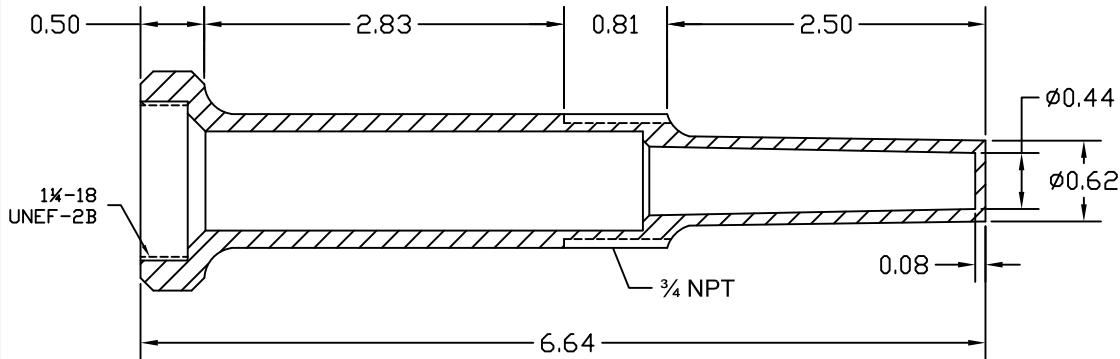
### W60 Series



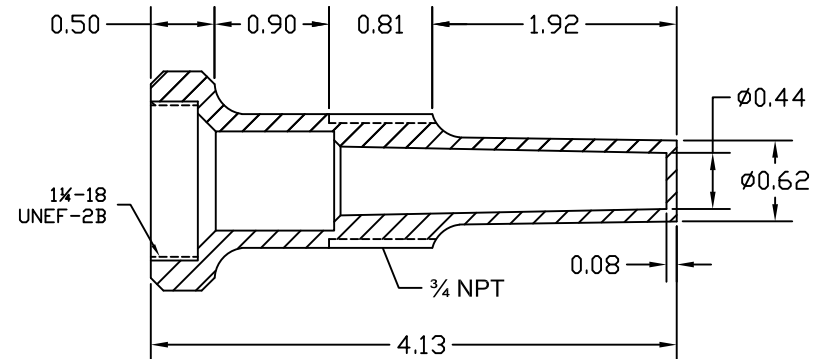
### W35 Series



### W62 Series



### W351 Series



P/N: W35B-PBF  
 P/N: W351B-PBF  
 UL certified per NSF/ANSI Standard 372.



Brass	Lead Free Brass	Carbon Steel	304SS	316SS
W35B	W35B-PBF	W35CS	W35304	W35316
W351B	W351B-PBF	W351CS	W351304	W351316
W60B	-	W60CS	W60304	W60316
W62B	-	W62CS	W62304	W62316

Compliance Standard: ASME B40.200 section B40.9 Thermowells  
 Lead-Free Brass definition: Brass Containing ≤0.25% lead (Pb).

## MILJOCO

CORPORATION 200 Elizabeth Street, Mt. Clemens, Michigan 48043 USA

SCALE:	None	APPROVED BY:	HOT	DRAWN BY:	HMT
DATE:	6/12/18			REVISED:	

Wells for Industrial Thermometers

PART NUMBER:	W35 & W6 series	DRAWING NUMBER:	127-105
DIMENSIONS: Inches [Metric]		Inches: .xx ± .010 .xxx ± .005 [Metric]: .xx ± .25 .xxx ± .13	