

SURFACE MOUNT GAUGE

±2-1-2% Accuracy

2", 2½", & 3½" - Rear Flange Case

Miljoco offers a variety of panel mounted pressure gauges, matching our line of vapor actuated remote reading panel mounted thermometers. These instruments are rugged, reliable, and accurate for a wide variety of uses such as air compressors, portable chillers, packaged pump sets, etc. Rear flanged gauges are designed to be installed on a wall or panel using three screws from the front. **CAUTION: A coil syphon must be installed on the connection when used on steam applications.**

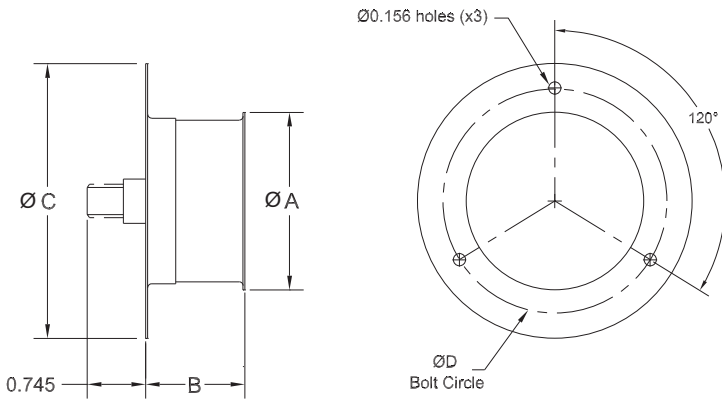
General Specifications

- CASE:** Brightly-finished 300 series stainless steel.
- LENS:** Polycarbonate.
- DIAL:** Aluminum, white finished with black markings.
- POINTER:** Black, adjustable.
- MOVEMENT:** Brass, with precision-milled teeth.
- TUBE & SOCKET:** Phosphor-bronze tube, brass socket.
- CONNECTION:**
 - 1/8" NPT back outlet is standard to 400 psi.
 - 1/4" NPT back outlet is standard from 600-1000psi.
- ACCURACY:** ±2-1-2% (ASME B40.100 Grade A).
- PROCESS TEMPERATURE:** -40 to 200°F (-40 to 93°C).
- AMBIENT TEMPERATURE:** -40 to 140°F (-40 to 60°C).



P35147

Models & Dimensions (in.)



Model	Dial Size	Case Material	Lens Type	A	B	C	D
P20146	2"	SS	Press-in	2.24	1.09	3.50	3.18
P20147	2"	SS	Threaded	2.24	1.09	3.50	3.18
P25147	2½"	SS	Threaded	2.85	1.25	3.67	3.20
P35147	3½"	SS	Threaded	3.94	1.25	4.87	4.00

Standard Ranges

Code	Range	Fig.	Div.
001	30" Hg-0	5	1
002	30" Hg-0-15 psi	10/5	2/1
003	30" Hg-0-30 psi	10/5	2/1
004	30" Hg-0-60 psi	10/10	1/1
005	30" Hg-0-100 psi	30/20	5/2
006	30" Hg-0-150 psi	30/20	5/2
008	30" Hg-0-300 psi	30/50	10/10
02	0-15 psi	2	0.1
03	0-30 psi	5	1
04	0-60 psi	10	1
05	0-100 psi	10	1
06	0-160 psi	20	2
07	0-200 psi	20	2
08	0-300 psi	50	5
09	0-400 psi	50	5
10	0-600 psi	50	10
11	0-1000 psi	100	10

To Order

P 3 5 1 4 7 **0 7**
 Model Number Range Code

- Options**
- Silicone Dampening
 - Ø 0.125" Capillary Connection (specify length)

