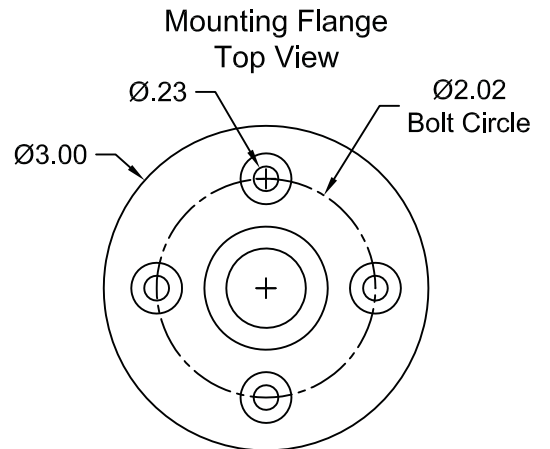
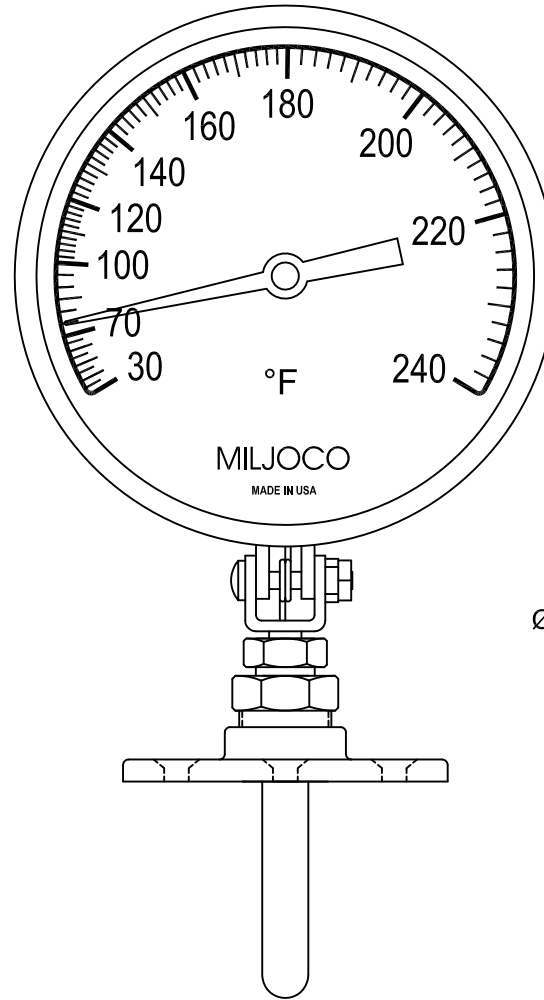


GENERAL SPECIFICATIONS

- Case & Ring: High polished stainless steel
- Lens: Acrylic
- Dial: Aluminum with white finish and black markings
- Pointer: Adjustable
- Movement: Precision brass with milled teeth
- Bourdon Tube: Phosphor bronze
- Accuracy: ±1 scale division
- Bulb: Furnished standard with a copper bulb
 $\frac{7}{16}$ " O.D. x 2½" (other bulb lengths available)



Range Code	Temperature Ranges
30	-40 to 110°F
19	0 to 100°F
49	0 to 150°F
72	0 to 180°F
50	30 to 240°F
60	30 to 300°F

Note: Fahrenheit & Celsius ranges available
 Other ranges available

Customer: _____

Project: _____

Engineer: _____

Pro or PO#: _____

MILJOCO

CORPORATION 200 Elizabeth Street, Mt. Clemens, Michigan 48043 USA

SCALE: None	APPROVED BY:	DRAWN BY: HMT
DATE: 8/27/09		REVISED:

4.5" Pipe Line Thermometer with Flange

PART NUMBER: V4598AF	DRAWING NUMBER: 127-170
----------------------	-------------------------

DIMENSIONS: Inches [Metric] Inches: .xx ± .010 .xxx ± .005 [Metric]: .xx ± .25 .xxx ± .13