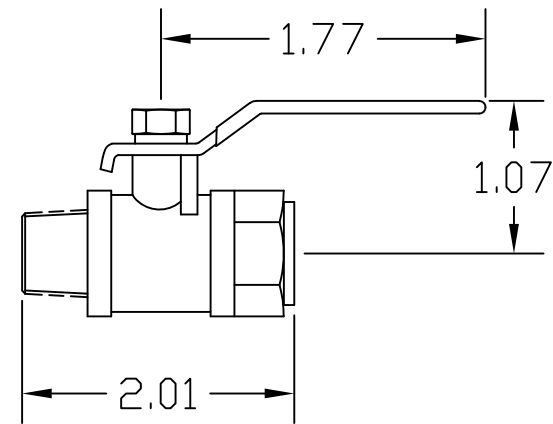


GENERAL SPECIFICATION

Model: 1050-25-B
 Body: Brass
 Stem: Brass
 Ball: Chrome plated brass
 Seat: PTFE
 Handle: Plated steel or aluminum
 Connection: 1/4"FNPTx1/4"FNPT
 Water, Oil, Gas Max Press.: 600psi
 Water, Oil, Gas Max Temp.: 225°F
 Working Steam Max Press.: 150psi
 Working Steam Max Temp.: 366°F



GENERAL SPECIFICATION

Model: 1075-25-B
 Body: Brass
 Stem: Brass
 Ball: Chrome plated brass
 Seat: PTFE
 Handle: Plated steel or aluminum
 Connection: 1/4"MNPTx1/4"FNPT
 Water, Oil, Gas Max Press.: 600psi
 Water, Oil, Gas Max Temp.: 225°F
 Working Steam Max Press.: 150psi
 Working Steam Max Temp.: 366°F

Customer: _____

Project: _____

Engineer: _____

Pro or PO#: _____

MILJOCO

CORPORATION 200 Elizabeth Street, Mt. Clemens, Michigan 48043 USA

SCALE: None	APPROVED BY:	DRAWN BY: HMT
DATE: 10/18/17		REVISED:

Ball Valve - 1/4"NPT Brass

.XX ± .010	.XXX ± .005	MODEL NUMBER: 1050/1075	DRAWING NUMBER: 127-75
------------	-------------	-------------------------	------------------------