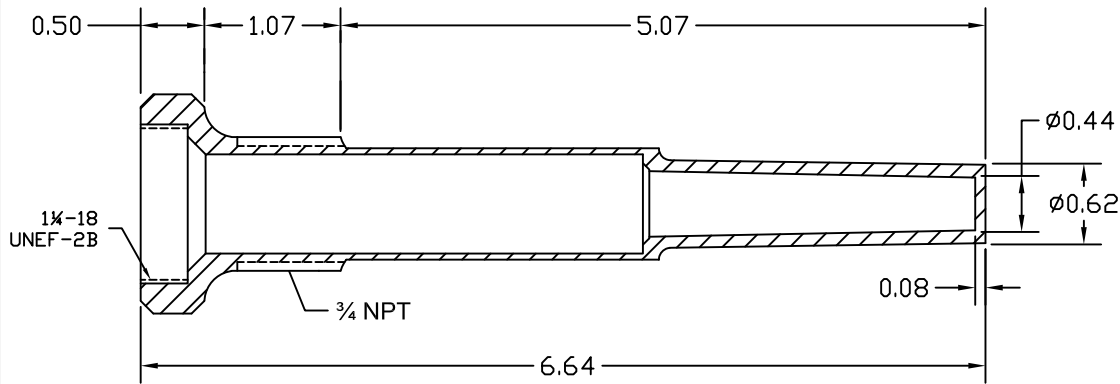
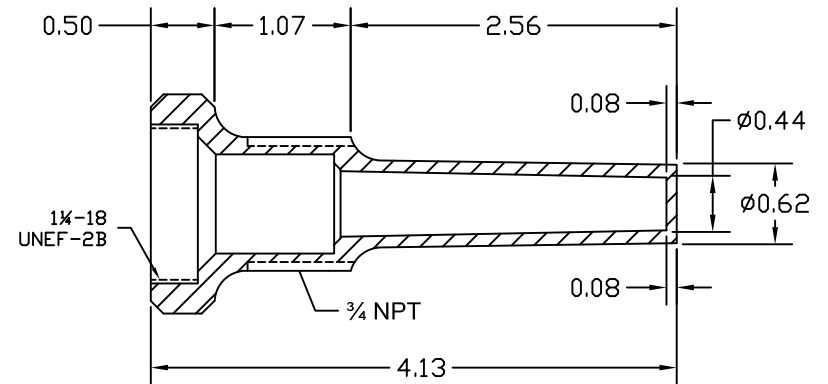


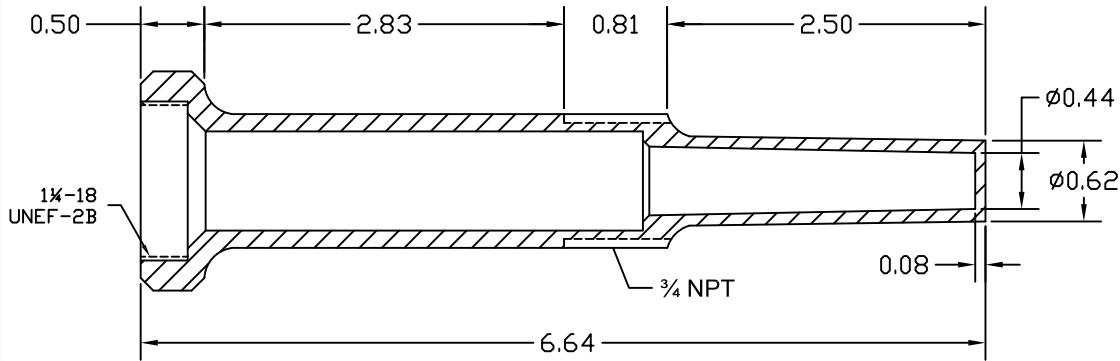
W60 Series



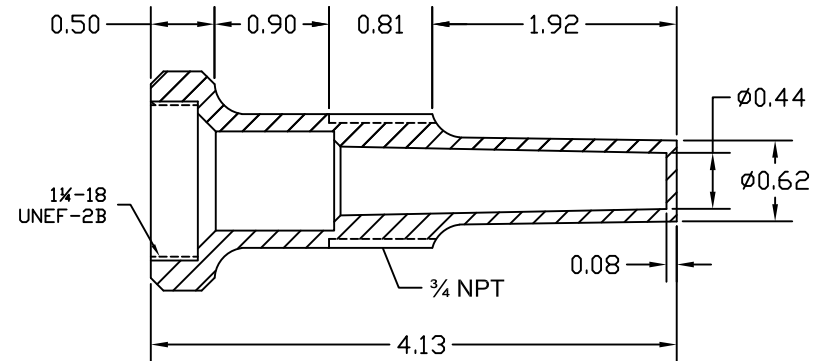
W35 Series



W62 Series



W351 Series



P/N: W35B-PBF  
 P/N: W351B-PBF  
 UL certified per NSF/ANSI Standard 61 & 372.



| Brass | Lead Free Brass | Carbon Steel | 304SS   | 316SS   |
|-------|-----------------|--------------|---------|---------|
| W35B  | W35B-PBF        | W35CS        | W35304  | W35316  |
| W351B | W351B-PBF       | W351CS       | W351304 | W351316 |
| W60B  | -               | W60CS        | W60304  | W60316  |
| W62B  | -               | W62CS        | W62304  | W62316  |

Compliance Standard: ASME B40.200 section B40.9 Thermowells  
 Lead-Free Brass definition: Brass Containing ≤0.25% lead (Pb).

**MILJOCO**

CORPORATION 200 Elizabeth Street, Mt. Clemens, Michigan 48043 USA

|        |         |              |     |           |     |
|--------|---------|--------------|-----|-----------|-----|
| SCALE: | None    | APPROVED BY: | HOT | DRAWN BY: | HMT |
| DATE:  | 6/12/18 |              |     | REVISED:  |     |

Wells for Industrial Thermometers

|   |                 |                 |         |
|---|-----------------|-----------------|---------|
| PART NUMBER:  | W35 & W6 series | DRAWING NUMBER: | 127-105 |
| DIMENSIONS: Inches [Metric] Inches: .xx ± .010 .xxx ± .005 [Metric]: .xx ± .25 .xxx ± .13 |                 |                 |         |